

Power You Can
Depend On



MRX Series

Valve Regulated Lead Acid

— Optimized UPS Configuration



High Rate Max^{XT}



WWW.CDTROJAN.CN

MRX Series

**HIGH
RATE
MAX^{XT}**



Valve Regulated Lead Acid Battery Designed for UPS Standby Power Applications

Applications

- Data Centers
- Network Operation Centers
- Industrial Process Control Facilities
- Internet Housing Sites
- Semiconductor Manufacturing
- Banks and Financial Markets
- Power Generation Plants
- Hospital and Testing Laboratories
- Emergency Response Center

Features and benefits

- Design life : 8 years (<100WPC)
12 years(≥100WPC)
- Eurobat Classification : Long Life
- Absorbent Glass Mat (AGM) technology for efficient gas recombination of up to 99% and freedom from electrolyte maintenance
- Long Life Alloy having very low calcium levels in the industry -minimizing grid growth, reducing gassing, and extending battery life
- UL Recognized Flame-arresting vents in each cell for safety and long life
- Designed with the same recombination, thermal runaway prevention, gassing and flame retardant characteristics of the Bellcore 4228 compliant Dynasty Telecom products
- Flame retardant polypropylene case and cover compliant with UL94 V-0(≥100 MRX)
- Proprietary Fixed Orifice Plate Pasting technology applying active materials on both sides of the grid for consistent cell-to-cell performance, higher capacity and uniform grid protection
- Thermally welded case-to-cover bond to eliminate leakage
- Not restricted for air transport-Complies with IATA/ICAO Special Provisions A67
- Not restricted for surface transport-Classified as non-hazardous material as related to DOT-CFR Totle 49 parts 171-189
- Not restricted for water transport-Classified as non-hazardous material per IMDG Amendment 27
- Manufactured in accordance with ISO 9001, ISO 14001, ISO 45001 and ISO 50001
- Designed to be compliant with international standard IEC 60896-21/22

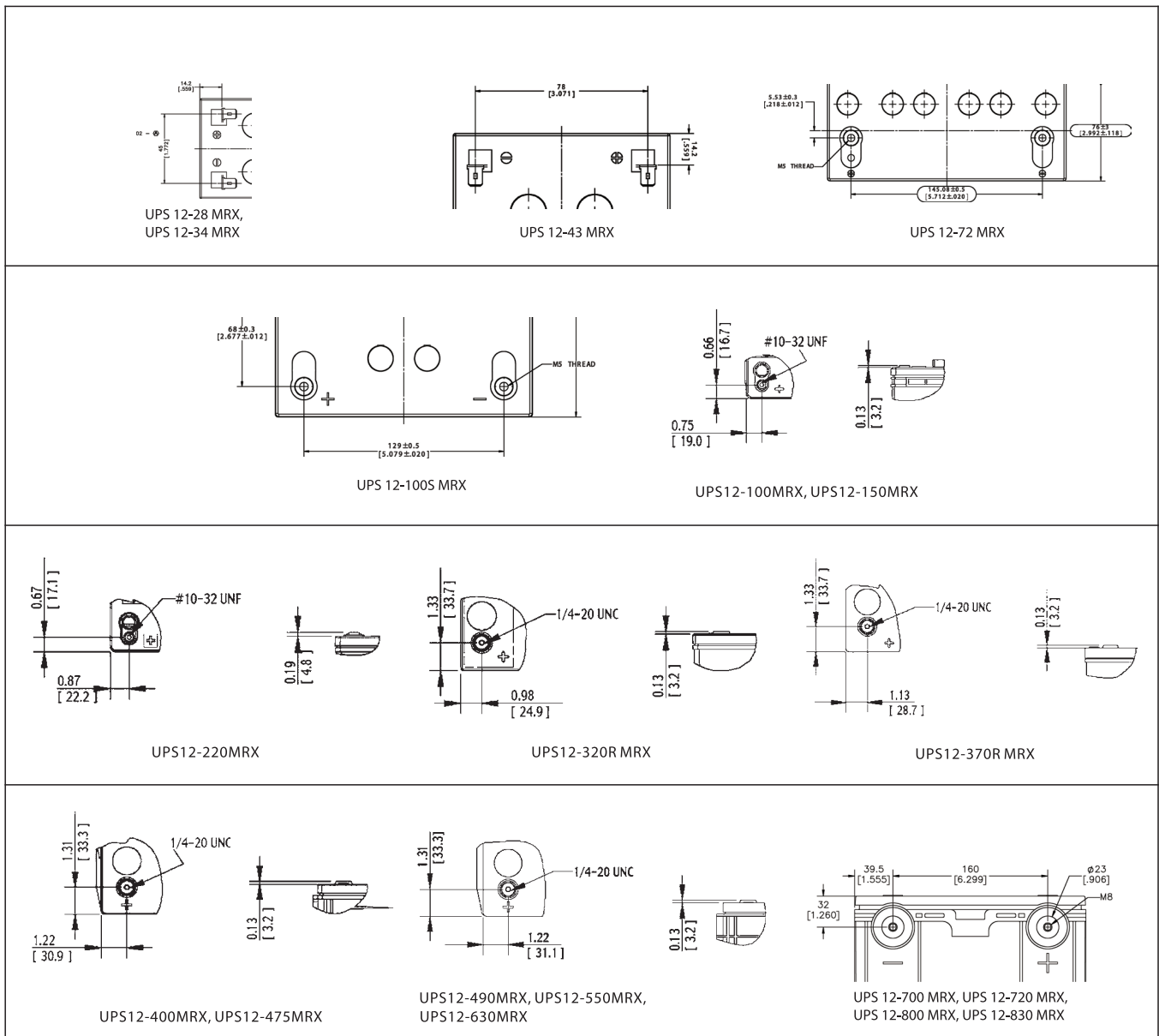
Specifications

| Model | V | 15min Watt/cell @ 1.67EPV | C20 (Ah) 1.75EPV,25°C | C10 (Ah) 1.80EPV,25°C | Dimensions/mm (L*W*H*total Height) | | | | Weight/ kg | Terminal Type (Bolt) |
|-----------------|----|------------------------------|--------------------------|--------------------------|---------------------------------------|-----|-----|-----|------------|-----------------------|
| UPS 12-28 MRX | 12 | 28 | 7 | 6.6 | 151 | 65 | 94 | 100 | 2.3 | Faston Tab 250 |
| UPS 12-34 MRX | 12 | 34 | 9 | 8.2 | 151 | 65 | 94 | 100 | 2.5 | Faston Tab 250 |
| UPS 12-43 MRX | 12 | 43 | 12 | 11.3 | 151 | 98 | 94 | 100 | 3.6 | Faston Tab 250 |
| UPS 12-72 MRX | 12 | 72 | 18.8 | 18.8 | 181 | 76 | 163 | 166 | 6.0 | Inserted(M5) |
| UPS 12-100S MRX | 12 | 100 | 27.0 | 26.6 | 166 | 175 | 122 | 125 | 8.9 | Inserted(M5) |
| UPS 12-100 MRX | 12 | 100 | 34 | 30 | 197 | 132 | 166 | 173 | 10.7 | Inserted(#10-32 UNF) |
| UPS 12-150 MRX | 12 | 150 | 36 | 33 | 197 | 132 | 166 | 173 | 12.4 | Inserted(#10-32 UNF) |
| UPS 12-220 MRX | 12 | 220 | 56 | 51 | 242 | 142 | 200 | 205 | 19.0 | Inserted(#10-32 UNF) |
| UPS 12-320R MRX | 12 | 320 | 84 | 79 | 273 | 173 | 201 | 204 | 27.0 | Inserted (1/4-20 UNC) |
| UPS 12-370R MRX | 12 | 370 | 102 | 92 | 319 | 173 | 203 | 206 | 31.5 | Inserted (1/4-20 UNC) |
| UPS 12-400 MRX | 12 | 400 | 110 | 100 | 341 | 173 | 213 | 216 | 35.3 | Inserted (1/4-20 UNC) |
| UPS 12-475 MRX | 12 | 475 | 114 | 106 | 341 | 173 | 215 | 218 | 38.0 | Inserted (1/4-20 UNC) |
| UPS 12-490 MRX | 12 | 490 | 150 | 137 | 345 | 173 | 275 | 278 | 46.6 | Inserted (1/4-20 UNC) |
| UPS 12-550 MRX | 12 | 550 | 154 | 141 | 345 | 173 | 275 | 278 | 48.6 | Inserted (1/4-20 UNC) |
| UPS 12-630 MRX | 12 | 630 | 140 | 132 | 345 | 173 | 275 | 278 | 52.9 | Inserted (1/4-20 UNC) |
| UPS 12-700 MRX | 12 | 700 | 228 | 211 | 525 | 239 | 227 | 227 | 66.0 | Inserted(M8) |
| UPS 12-720 MRX | 12 | 720 | 234 | 217 | 525 | 239 | 227 | 227 | 67.3 | Inserted(M8) |
| UPS 12-800 MRX | 12 | 800 | 226 | 210 | 525 | 239 | 227 | 227 | 71.0 | Inserted(M8) |
| UPS 12-830 MRX | 12 | 830 | 236 | 218 | 525 | 239 | 227 | 227 | 72.0 | Inserted(M8) |

Specifications

| | |
|---|---|
| Operating Temperature Range with temperature compensation | Discharge: -40°F (-40°C) to +160°F (71°C) Charge: -10°F (-23°C) to +140°F (60°C) |
| Nominal Operating Temperature Range | +74°F (23°C) to +80°F (27°C) |
| Recommended Maximum Charging Current Limit | C/5 amperes @ 20hr rate |
| Float Charging Voltage | 13.65±0.15VDC per unit at 25°C (Recommendation: 13.65V per unit) |
| Maximum AC Ripple (Charger) | 0.5% RMS or 1.5% P-P of float charge voltage recommended for best results. Max voltage allowed = 1.4% RMS (4% P-P), Max current allowed = C/20 A RMS |
| Self Discharge | Battery can be stored up to 4 months at 77°F (25°C) before a freshening charge is required. Batteries stored at temperatures greater than 77°F (25°C) will require recharge sooner than batteries stored at lower temperatures. See C&D brochure 41-7272, Self-Discharge and Inventory Control for details. |
| Equalize charge and cycle service voltage | 14.40 to 14.80 VDC average per 12V unit @ 77°F (25°C) |
| Accessories (Optional) | Inter unit connectors, racks and cabinet systems are available. |

Battery Termination



MRX Series

UPS 12-28 MRX

Constant Power Discharge Table - Watts Per Cell @ 25°C (77°F)

| EPV | 5MIN | 10MIN | 15MIN | 30MIN | 60MIN | 90MIN | 2HR | 3HR | 5HR | 8HR | 10HR | 20HR |
|-------|------|-------|-------|-------|-------|--------|------|------|------|------|------|------|
| 1.85V | 41.0 | 28.7 | 24.2 | 13.3 | 8.1 | 5.8 | 4.64 | 3.29 | 2.21 | 1.57 | 1.32 | 0.66 |
| 1.80V | 43.2 | 30.2 | 25.5 | 14.0 | 8.5 | 6.0 | 4.79 | 3.40 | 2.28 | 1.60 | 1.34 | 0.68 |
| 1.75V | 46.7 | 31.0 | 26.3 | 14.5 | 8.6 | 6.2 | 4.94 | 3.50 | 2.32 | 1.63 | 1.36 | 0.68 |
| 1.70V | 49.5 | 32.1 | 26.6 | 15.2 | 8.6 | 6.3 | 5.01 | 3.55 | 2.34 | 1.64 | 1.37 | 0.70 |
| 1.67V | 53.7 | 35.2 | 28 | 15.3 | 8.65 | 6.4169 | 5.09 | 3.61 | 2.36 | 1.66 | 1.38 | 0.72 |
| 1.65V | 54.0 | 36.0 | 28.5 | 15.4 | 8.7 | 6.4 | 5.12 | 3.63 | 2.37 | 1.67 | 1.39 | 0.73 |

Constant Current Discharge Table - Amperes @ 25°C (77°F)

| EPV | 5MIN | 10MIN | 15MIN | 30MIN | 60MIN | 90MIN | 2HR | 3HR | 5HR | 8HR | 10HR | 20HR |
|-------|------|-------|-------|-------|-------|-------|------|------|------|------|------|------|
| 1.85V | 21.4 | 15.2 | 12.4 | 6.9 | 4.1 | 3.1 | 2.29 | 1.62 | 1.07 | 0.72 | 0.66 | 0.35 |
| 1.80V | 22.5 | 16.0 | 13.1 | 7.3 | 4.4 | 3.2 | 2.36 | 1.68 | 1.11 | 0.74 | 0.68 | 0.35 |
| 1.75V | 23.7 | 16.8 | 13.5 | 7.5 | 4.4 | 3.4 | 2.42 | 1.73 | 1.16 | 0.75 | 0.69 | 0.35 |
| 1.70V | 25.1 | 17.4 | 14.0 | 7.7 | 4.5 | 3.4 | 2.48 | 1.79 | 1.21 | 0.76 | 0.70 | 0.35 |
| 1.67V | 27.0 | 18.2 | 14.5 | 7.8 | 4.5 | 3.5 | 2.50 | 1.82 | 1.24 | 0.77 | 0.71 | 0.35 |
| 1.65V | 27.2 | 18.3 | 15.0 | 7.9 | 4.5 | 3.5 | 2.53 | 1.85 | 1.26 | 0.78 | 0.71 | 0.35 |

UPS 12-34 MRX

Constant Power Discharge Table - Watts Per Cell @ 25°C (77°F)

| EPV | 5MIN | 10MIN | 15MIN | 30MIN | 60MIN | 90MIN | 2HR | 3HR | 5HR | 8HR | 10HR | 20HR |
|-------|------|-------|-------|-------|-------|-------|------|------|------|------|------|------|
| 1.85V | 54.1 | 39.2 | 30.8 | 17.9 | 10.8 | 7.7 | 5.94 | 4.04 | 2.66 | 1.79 | 1.45 | 0.77 |
| 1.80V | 57.7 | 42.5 | 32.6 | 18.2 | 10.9 | 7.9 | 6.12 | 4.20 | 2.69 | 1.81 | 1.47 | 0.79 |
| 1.75V | 61.3 | 44.4 | 33.6 | 18.6 | 11.1 | 8.1 | 6.37 | 4.33 | 2.72 | 1.82 | 1.48 | 0.80 |
| 1.70V | 64.7 | 45.1 | 32.2 | 18.9 | 11.2 | 8.1 | 6.39 | 4.38 | 2.75 | 1.84 | 1.49 | 0.81 |
| 1.67V | 66.4 | 45.8 | 34.2 | 19.1 | 11.3 | 8.3 | 6.42 | 4.42 | 2.77 | 1.85 | 1.52 | 0.82 |
| 1.65V | 70.1 | 46.5 | 34.5 | 19.5 | 11.4 | 8.3 | 6.45 | 4.44 | 2.82 | 1.89 | 1.53 | 0.83 |

Constant Current Discharge Table - Amperes @ 25°C (77°F)

| EPV | 5MIN | 10MIN | 15MIN | 30MIN | 60MIN | 90MIN | 2HR | 3HR | 5HR | 8HR | 10HR | 20HR |
|-------|------|-------|-------|-------|-------|-------|-----|-----|-----|------|------|------|
| 1.85V | 27.4 | 19.5 | 15.3 | 9.1 | 5.5 | 3.9 | 2.9 | 2.0 | 1.2 | 0.82 | 0.82 | 0.45 |
| 1.80V | 30.4 | 20.8 | 16.1 | 9.5 | 5.6 | 3.9 | 3.0 | 2.0 | 1.2 | 0.83 | 0.83 | 0.45 |
| 1.75V | 33.1 | 21.9 | 16.9 | 9.8 | 5.6 | 4.0 | 3.0 | 2.0 | 1.2 | 0.84 | 0.84 | 0.45 |
| 1.70V | 35.7 | 22.9 | 17.5 | 10.0 | 5.7 | 4.1 | 3.1 | 2.1 | 1.3 | 0.85 | 0.87 | 0.45 |
| 1.67V | 37 | 23.5 | 17.8 | 10.1 | 5.8 | 4.1 | 3.1 | 2.1 | 1.3 | 0.86 | 0.88 | 0.45 |
| 1.65V | 39.8 | 24.6 | 18.5 | 10.4 | 5.9 | 4.2 | 3.2 | 2.1 | 1.3 | 0.88 | 0.89 | 0.45 |

UPS 12-43 MRX

Constant Power Discharge Table - Watts Per Cell @ 25°C (77°F)

| EPV | 5MIN | 10MIN | 15MIN | 30MIN | 60MIN | 90MIN | 2HR | 3HR | 5HR | 8HR | 10HR | 20HR |
|-------|------|-------|-------|-------|-------|-------|------|------|------|------|------|------|
| 1.85V | 61.0 | 46.3 | 36.5 | 23.8 | 15.1 | 10.9 | 8.69 | 5.98 | 3.85 | 2.56 | 2.10 | 1.19 |
| 1.80V | 69.1 | 50.7 | 40.2 | 25.3 | 15.7 | 11.2 | 8.88 | 6.23 | 3.98 | 2.61 | 2.17 | 1.23 |
| 1.75V | 76.4 | 53.9 | 42.3 | 25.8 | 15.9 | 11.5 | 9.07 | 6.36 | 4.03 | 2.68 | 2.21 | 1.25 |
| 1.70V | 82.5 | 55.5 | 43.3 | 26.1 | 16.0 | 11.6 | 9.16 | 6.45 | 4.13 | 2.73 | 2.25 | 1.26 |
| 1.67V | 85.1 | 56.5 | 43.8 | 26.3 | 16.1 | 11.6 | 9.19 | 6.50 | 4.17 | 2.74 | 2.26 | 1.26 |
| 1.65V | 89.1 | 57.4 | 44.3 | 26.4 | 16.2 | 11.7 | 9.24 | 6.55 | 4.18 | 2.76 | 2.28 | 1.27 |

Constant Current Discharge Table - Amperes @ 25°C (77°F)

| EPV | 5MIN | 10MIN | 15MIN | 30MIN | 60MIN | 90MIN | 2HR | 3HR | 5HR | 8HR | 10HR | 20HR |
|-------|------|-------|-------|-------|-------|-------|------|-----|-----|------|------|------|
| 1.85V | 33.9 | 25.1 | 19.6 | 12.2 | 7.4 | 5.4 | 4.30 | 3.0 | 2.0 | 1.31 | 1.08 | 0.57 |
| 1.80V | 38.5 | 27.8 | 21.3 | 12.9 | 7.7 | 5.6 | 4.40 | 3.1 | 2.0 | 1.36 | 1.13 | 0.59 |
| 1.75V | 42.9 | 29.8 | 22.4 | 13.3 | 8.0 | 5.7 | 4.50 | 3.2 | 2.1 | 1.39 | 1.14 | 0.60 |
| 1.70V | 45.9 | 31.3 | 23.1 | 13.5 | 8.0 | 5.8 | 4.60 | 3.3 | 2.2 | 1.42 | 1.16 | 0.60 |
| 1.67V | 47.8 | 31.7 | 23.4 | 13.6 | 8.1 | 5.8 | 4.60 | 3.3 | 2.2 | 1.43 | 1.17 | 0.60 |
| 1.65V | 50.8 | 32.9 | 23.7 | 13.8 | 8.1 | 5.9 | 4.70 | 3.3 | 2.2 | 1.44 | 1.18 | 0.61 |

UPS 12-72 MRX

Constant Power Discharge Table - Watts Per Cell @ 25°C (77°F)

| EPV | 5MIN | 10MIN | 15MIN | 30MIN | 60MIN | 2HR | 3HR | 5HR | 8HR | 10HR | 20HR |
|-------|-------|-------|-------|-------|-------|-------|-------|------|------|------|------|
| 1.85V | 91.5 | 80.9 | 63.7 | 41.7 | 24.8 | 14.29 | 10.08 | 6.44 | 4.27 | 3.51 | 1.91 |
| 1.80V | 106.5 | 87.2 | 68.7 | 44.8 | 26.2 | 14.84 | 10.48 | 6.70 | 4.43 | 3.64 | 1.97 |
| 1.75V | 116.5 | 90.0 | 70.9 | 45.9 | 26.8 | 14.98 | 10.60 | 6.79 | 4.50 | 3.71 | 2.02 |
| 1.70V | 123.0 | 92.3 | 72.7 | 46.8 | 27.2 | 15.14 | 10.73 | 6.89 | 4.59 | 3.78 | 2.05 |
| 1.67V | 126.0 | 93.2 | 73.4 | 47.2 | 27.3 | 15.22 | 10.77 | 6.93 | 4.61 | 3.79 | 2.06 |
| 1.65V | 129.0 | 94.0 | 74.0 | 47.5 | 27.4 | 15.27 | 10.80 | 6.96 | 4.63 | 3.81 | 2.06 |

Constant Current Discharge Table - Amperes @ 25°C (77°F)

| EPV | 5MIN | 10MIN | 15MIN | 30MIN | 60MIN | 2HR | 3HR | 5HR | 8HR | 10HR | 20HR |
|-------|------|-------|-------|-------|-------|------|------|------|-------|------|------|
| 1.85V | 49.4 | 38.4 | 31.9 | 21.8 | 12.9 | 7.58 | 5.40 | 3.45 | 2.25 | 1.82 | 0.87 |
| 1.80V | 56.0 | 41.3 | 33.6 | 22.4 | 13.8 | 7.86 | 5.61 | 3.59 | 2.33 | 1.89 | 0.90 |
| 1.75V | 62.7 | 44.3 | 35.1 | 22.9 | 14.2 | 8.02 | 5.71 | 3.65 | 2.37 | 1.92 | 0.94 |
| 1.70V | 69.3 | 47.1 | 36.6 | 23.3 | 14.4 | 8.16 | 5.81 | 3.70 | 2.40 | 1.94 | 0.97 |
| 1.67V | 73.2 | 48.8 | 37.5 | 23.5 | 14.5 | 8.23 | 5.84 | 3.72 | 2.404 | 1.95 | 0.98 |
| 1.65V | 82.5 | 52.3 | 39.6 | 24.1 | 14.6 | 8.30 | 5.87 | 3.74 | 2.41 | 1.96 | 1.03 |

UPS 12-100S MRX

Constant Power Discharge Table - Watts Per Cell @ 25°C (77°F)

| EPV | 5 min | 10 min | 15 min | 30 min | 60 min | 90 min | 2 hr | 3 hr | 5 hr | 8 hr | 10 hr | 20 hr |
|------|-------|--------|--------|--------|--------|--------|------|------|------|------|-------|-------|
| 1.85 | 120.0 | 106.0 | 87.9 | 56.6 | 33.5 | 24.4 | 19.5 | 14.2 | 9.5 | 6.5 | 5.4 | 2.9 |
| 1.80 | 152.0 | 119.8 | 96.2 | 61.1 | 35.4 | 25.9 | 20.7 | 15.0 | 9.9 | 6.8 | 5.6 | 3.0 |
| 1.75 | 161.5 | 124.5 | 99.8 | 63.0 | 36.5 | 26.5 | 21.2 | 15.3 | 10.1 | 6.9 | 5.7 | 3.0 |
| 1.70 | 169.0 | 128.0 | 102.2 | 64.6 | 37.4 | 27.0 | 21.4 | 15.4 | 10.2 | 6.9 | 5.7 | 3.1 |
| 1.67 | 172.0 | 129.0 | 103.1 | 65.2 | 37.7 | 27.1 | 21.5 | 15.4 | 10.2 | 7.0 | 5.7 | 3.1 |
| 1.65 | 176.5 | 130.4 | 103.8 | 65.8 | 37.9 | 27.2 | 21.5 | 15.5 | 10.2 | 7.0 | 5.8 | 3.1 |

Constant Current Discharge Table - Amperes @ 25°C (77°F)

| EPV | 5 min | 10 min | 15 min | 30 min | 60 min | 90 min | 2 hr | 3 hr | 5 hr | 8 hr | 10 hr | 20 hr |
|------|-------|--------|--------|--------|--------|--------|------|------|------|------|-------|-------|
| 1.85 | 75.5 | 61.1 | 48.3 | 30.7 | 17.6 | 12.7 | 10.1 | 7.3 | 4.9 | 3.3 | 2.7 | 1.4 |
| 1.80 | 88.2 | 68.4 | 53.5 | 33.1 | 18.8 | 13.5 | 10.6 | 7.6 | 5.0 | 3.4 | 2.8 | 1.5 |
| 1.75 | 92.2 | 72.4 | 55.8 | 33.5 | 19.0 | 13.7 | 10.8 | 7.8 | 5.1 | 3.5 | 2.8 | 1.5 |
| 1.70 | 96.4 | 75.8 | 58.4 | 33.8 | 19.2 | 13.8 | 10.9 | 7.8 | 5.2 | 3.5 | 2.9 | 1.5 |
| 1.67 | 98.3 | 77.2 | 59.4 | 34.0 | 19.3 | 13.8 | 10.9 | 7.9 | 5.2 | 3.5 | 2.9 | 1.5 |
| 1.65 | 99.8 | 78.4 | 60.1 | 34.1 | 19.4 | 13.9 | 11.0 | 7.9 | 5.2 | 3.5 | 2.9 | 1.5 |

UPS 12-100 MRX

Constant Power Discharge Table - Watts Per Cell @ 25°C (77°F)

| EPV | 5 min | 10 min | 15 min | 20 min | 25 min | 30 min | 45 min | 60 min | 90 min | 2 hr | 3 hr | 4 hr | 5 hr | 8 hr | 10 hr | 12 hr | 20 hr |
|------|-------|--------|--------|--------|--------|--------|--------|--------|--------|------|------|------|------|------|-------|-------|-------|
| 1.85 | 142.5 | 105.3 | 86.4 | 72.7 | 63.6 | 57.0 | 44.2 | 36.9 | 27.4 | 22.2 | 15.9 | 12.6 | 10.5 | 7.2 | 5.9 | 5.0 | 3.2 |
| 1.80 | 157.1 | 117.1 | 95.2 | 79.3 | 68.8 | 61.3 | 47.0 | 39.0 | 28.6 | 22.9 | 16.5 | 13.0 | 10.9 | 7.4 | 6.1 | 5.2 | 3.3 |
| 1.75 | 165.8 | 126.4 | 99.5 | 82.8 | 71.8 | 63.9 | 48.6 | 40.0 | 29.0 | 23.1 | 16.6 | 13.2 | 11.0 | 7.5 | 6.2 | 5.3 | 3.4 |
| 1.70 | 172.2 | 131.0 | 103.3 | 85.5 | 73.7 | 65.4 | 49.4 | 40.5 | 29.3 | 23.3 | 16.7 | 13.3 | 11.1 | 7.5 | 6.2 | 5.3 | 3.4 |
| 1.67 | 176.1 | 133.3 | 105.7 | 87.1 | 74.9 | 66.3 | 49.9 | 40.8 | 29.4 | 23.4 | 16.8 | 13.3 | 11.1 | 7.5 | 6.2 | 5.3 | 3.4 |
| 1.65 | 178.8 | 135.8 | 107.3 | 88.2 | 75.7 | 66.9 | 50.2 | 41.0 | 29.6 | 23.4 | 16.8 | 13.3 | 11.1 | 7.6 | 6.2 | 5.3 | 3.4 |

Constant Current Discharge Table - Amperes @ 25°C (77°F)

| EPV | 5 min | 10 min | 15 min | 30 min | 60 min | 90 min | 2 hr | 3 hr | 4 hr | 5 hr | 6 hr | 7 hr | 8 hr | 10 hr | 12 hr | 20 hr | 24 hr |
|------|-------|--------|--------|--------|--------|--------|------|------|------|------|------|------|------|-------|-------|-------|-------|
| 1.90 | 68.2 | 52.4 | 42.2 | 28.4 | 18.2 | 13.2 | 10.5 | 7.5 | 5.9 | 4.9 | 4.2 | 3.7 | 3.3 | 2.7 | 2.3 | 1.5 | 1.3 |
| 1.85 | 80.0 | 61.1 | 48.5 | 31.4 | 20.1 | 14.4 | 11.4 | 8.2 | 6.4 | 5.4 | 4.6 | 4.0 | 3.6 | 2.9 | 2.5 | 1.6 | 1.4 |
| 1.80 | 88.6 | 68.0 | 53.7 | 33.6 | 21.0 | 15.1 | 11.9 | 8.5 | 6.7 | 5.6 | 4.8 | 4.2 | 3.7 | 3.1 | 2.6 | 1.7 | 1.4 |
| 1.75 | 93.3 | 71.3 | 56.3 | 34.9 | 21.5 | 15.4 | 12.1 | 8.6 | 6.8 | 5.7 | 4.9 | 4.3 | 3.8 | 3.1 | 2.6 | 1.7 | 1.4 |

MRX Series

UPS 12-150 MRX Constant Power Discharge Table - Watts Per Cell @ 25°C (77°F)

| EPV | 5 min | 10 min | 15 min | 20 min | 25 min | 30 min | 45 min | 60 min | 90 min | 2 hr | 3 hr | 4 hr | 5 hr | 8 hr | 10 hr | 12 hr | 20 hr |
|------|-------|--------|--------|--------|--------|--------|--------|--------|--------|------|------|------|------|------|-------|-------|-------|
| 1.85 | 204.6 | 156.5 | 124.0 | 101.6 | 87.1 | 76.7 | 57.0 | 46.2 | 32.6 | 25.5 | 18.0 | 14.1 | 11.6 | 7.8 | 6.4 | 5.3 | 3.2 |
| 1.80 | 226.1 | 172.7 | 137.0 | 110.7 | 93.8 | 82.0 | 59.7 | 47.7 | 33.7 | 26.3 | 18.6 | 14.6 | 12.0 | 8.0 | 6.6 | 5.5 | 3.3 |
| 1.75 | 236.0 | 179.8 | 143.0 | 114.7 | 96.6 | 84.0 | 60.6 | 48.1 | 33.9 | 26.5 | 18.7 | 14.7 | 12.2 | 8.2 | 6.7 | 5.6 | 3.4 |
| 1.70 | 245.9 | 185.4 | 147.0 | 117.7 | 99.0 | 86.0 | 61.5 | 48.5 | 34.2 | 26.7 | 18.9 | 14.9 | 12.2 | 8.2 | 6.8 | 5.6 | 3.4 |
| 1.67 | 249.2 | 189.2 | 150.0 | 119.4 | 100.0 | 86.5 | 61.8 | 48.7 | 34.3 | 26.8 | 18.9 | 14.9 | 12.3 | 8.2 | 6.8 | 5.7 | 3.4 |
| 1.65 | 250.8 | 192.2 | 152.0 | 120.6 | 100.7 | 87.0 | 62.1 | 48.9 | 34.5 | 26.9 | 19.0 | 15.0 | 12.3 | 8.3 | 6.8 | 5.7 | 3.4 |

Constant Current Discharge Table - Amperes @ 25°C (77°F)

| EPV | 5 min | 10 min | 15 min | 30 min | 60 min | 90 min | 2 hr | 3 hr | 4 hr | 5 hr | 6 hr | 7 hr | 8 hr | 10 hr | 12 hr | 20 hr | 24 hr |
|------|-------|--------|--------|--------|--------|--------|------|------|------|------|------|------|------|-------|-------|-------|-------|
| 1.90 | 103.4 | 79.3 | 62.7 | 38.4 | 23.0 | 16.0 | 12.4 | 8.7 | 6.7 | 5.5 | 4.7 | 4.1 | 3.6 | 3.0 | 2.5 | 1.6 | 1.4 |
| 1.85 | 118.6 | 90.9 | 71.8 | 42.6 | 25.2 | 17.5 | 13.5 | 9.4 | 7.3 | 5.9 | 5.0 | 4.4 | 3.9 | 3.2 | 2.7 | 1.7 | 1.5 |
| 1.80 | 128.4 | 98.5 | 77.8 | 45.3 | 26.4 | 18.3 | 14.2 | 9.8 | 7.6 | 6.2 | 5.2 | 4.6 | 4.0 | 3.3 | 2.8 | 1.8 | 1.5 |
| 1.75 | 134.1 | 102.7 | 80.0 | 46.7 | 26.8 | 18.6 | 14.3 | 9.9 | 7.6 | 6.2 | 5.3 | 4.6 | 4.1 | 3.4 | 2.8 | 1.8 | 1.5 |

UPS 12-220 MRX Constant Power Discharge Table - Watts Per Cell @ 25°C (77°F)

| EPV | 5 min | 10 min | 15 min | 20 min | 25 min | 30 min | 45 min | 60 min | 90 min | 2 hr | 3 hr | 4 hr | 5 hr | 8 hr | 10 hr | 12 hr | 20 hr |
|------|-------|--------|--------|--------|--------|--------|--------|--------|--------|------|------|------|------|------|-------|-------|-------|
| 1.85 | 305.1 | 229.7 | 184.9 | 154.0 | 133.6 | 119.0 | 90.8 | 75.0 | 54.1 | 42.9 | 29.7 | 22.8 | 18.6 | 12.1 | 9.9 | 8.4 | 5.3 |
| 1.80 | 336.9 | 255.6 | 202.2 | 166.3 | 142.9 | 126.3 | 95.4 | 78.2 | 56.2 | 44.5 | 30.7 | 23.6 | 19.3 | 12.5 | 10.2 | 8.7 | 5.4 |
| 1.75 | 355.0 | 267.5 | 211.0 | 172.5 | 147.6 | 129.9 | 96.9 | 78.7 | 57.1 | 45.5 | 31.4 | 24.1 | 19.7 | 12.8 | 10.4 | 8.8 | 5.5 |
| 1.70 | 366.6 | 273.8 | 217.0 | 176.3 | 150.0 | 131.5 | 97.9 | 79.4 | 57.5 | 45.7 | 31.5 | 24.2 | 19.7 | 12.8 | 10.5 | 8.9 | 5.5 |
| 1.67 | 371.6 | 277.6 | 220.0 | 178.2 | 151.3 | 132.4 | 98.5 | 79.8 | 57.7 | 45.8 | 31.6 | 24.3 | 19.8 | 12.9 | 10.5 | 8.9 | 5.6 |
| 1.65 | 375.0 | 280.2 | 222.0 | 179.5 | 152.2 | 133.0 | 98.8 | 80.0 | 57.9 | 46.0 | 31.7 | 24.3 | 19.8 | 12.9 | 10.5 | 8.9 | 5.6 |

Constant Current Discharge Table - Amperes @ 25°C (77°F)

| EPV | 5 min | 10 min | 15 min | 30 min | 60 min | 90 min | 2 hr | 3 hr | 4 hr | 5 hr | 6 hr | 7 hr | 8 hr | 10 hr | 12 hr | 20 hr | 24 hr |
|------|-------|--------|--------|--------|--------|--------|------|------|------|------|------|------|------|-------|-------|-------|-------|
| 1.90 | 153.3 | 119.2 | 95.6 | 60.8 | 35.0 | 24.5 | 19.0 | 13.3 | 10.3 | 8.4 | 7.1 | 6.2 | 5.5 | 4.5 | 3.8 | 2.4 | 2.1 |
| 1.85 | 176.4 | 130.9 | 106.9 | 66.9 | 38.6 | 26.9 | 20.8 | 14.5 | 11.2 | 9.1 | 7.7 | 6.7 | 6.0 | 4.9 | 4.1 | 2.6 | 2.2 |
| 1.80 | 189.7 | 139.7 | 115.0 | 71.0 | 39.8 | 27.7 | 21.4 | 14.9 | 11.5 | 9.5 | 8.0 | 7.0 | 6.2 | 5.1 | 4.3 | 2.7 | 2.3 |
| 1.75 | 197.4 | 145.0 | 119.6 | 72.4 | 40.7 | 28.3 | 21.9 | 15.2 | 11.8 | 9.6 | 8.2 | 7.1 | 6.3 | 5.2 | 4.4 | 2.8 | 2.4 |

UPS 12-320R MRX Constant Power Discharge Table - Watts Per Cell @ 25°C (77°F)

| EPV | 5 min | 10 min | 15 min | 20 min | 25 min | 30 min | 45 min | 60 min | 90 min | 2 hr | 3 hr | 4 hr | 5 hr | 8 hr | 10 hr | 12 hr | 20 hr |
|------|-------|--------|--------|--------|--------|--------|--------|--------|--------|------|------|------|------|------|-------|-------|-------|
| 1.85 | 458.4 | 346.7 | 277.8 | 230.4 | 199.2 | 176.9 | 134.5 | 110.7 | 80.5 | 64.2 | 44.5 | 34.4 | 28.1 | 18.4 | 15.1 | 12.8 | 8.1 |
| 1.80 | 502.6 | 378.1 | 304.6 | 249.7 | 213.9 | 188.6 | 141.9 | 115.9 | 83.9 | 66.7 | 46.2 | 35.6 | 29.1 | 19.0 | 15.5 | 13.2 | 8.3 |
| 1.75 | 526.2 | 395.1 | 314.2 | 257.2 | 220.2 | 194.0 | 145.4 | 118.5 | 85.5 | 67.9 | 47.0 | 36.2 | 29.5 | 19.3 | 15.8 | 13.4 | 8.4 |
| 1.70 | 535.3 | 406.2 | 321.4 | 263.2 | 225.4 | 198.6 | 147.0 | 118.8 | 85.9 | 68.3 | 47.3 | 36.4 | 29.7 | 19.4 | 15.8 | 13.4 | 8.4 |
| 1.67 | 544.3 | 413.0 | 326.3 | 266.6 | 227.8 | 200.4 | 147.7 | 119.0 | 86.2 | 68.6 | 47.4 | 36.5 | 29.8 | 19.5 | 15.9 | 13.5 | 8.5 |
| 1.65 | 547.5 | 417.7 | 329.3 | 269.3 | 230.3 | 202.7 | 148.7 | 119.4 | 86.5 | 68.8 | 47.6 | 36.6 | 29.9 | 19.5 | 15.9 | 13.5 | 8.5 |

Constant Current Discharge Table - Amperes @ 25°C (77°F)

| EPV | 5 min | 10 min | 15 min | 30 min | 60 min | 90 min | 2 hr | 3 hr | 4 hr | 5 hr | 6 hr | 7 hr | 8 hr | 10 hr | 12 hr | 20 hr | 24 hr |
|------|-------|--------|--------|--------|--------|--------|------|------|------|------|------|------|------|-------|-------|-------|-------|
| 1.90 | 200.2 | 170.7 | 135.2 | 87.3 | 53.4 | 37.6 | 29.4 | 20.7 | 16.2 | 13.4 | 11.4 | 9.8 | 8.7 | 7.1 | 6.0 | 3.7 | 3.1 |
| 1.85 | 248.3 | 185.0 | 150.5 | 95.9 | 58.0 | 40.8 | 31.8 | 22.4 | 17.5 | 14.5 | 12.3 | 10.6 | 9.4 | 7.6 | 6.5 | 4.0 | 3.4 |
| 1.80 | 267.8 | 196.8 | 162.3 | 101.8 | 60.7 | 42.6 | 33.1 | 23.3 | 18.2 | 15.1 | 12.8 | 11.1 | 9.8 | 7.9 | 6.7 | 4.1 | 3.5 |
| 1.75 | 277.5 | 203.2 | 168.2 | 105.4 | 62.0 | 43.5 | 33.8 | 23.7 | 18.5 | 15.4 | 13.0 | 11.2 | 9.9 | 8.0 | 6.8 | 4.2 | 3.5 |

UPS 12-370R MRX Constant Power Discharge Table - Watts Per Cell @ 25°C (77°F)

| EPV | 5 min | 10 min | 15 min | 20 min | 25 min | 30 min | 45 min | 60 min | 90 min | 2 hr | 3 hr | 4 hr | 5 hr | 8 hr | 10 hr | 12 hr | 20 hr |
|------|-------|--------|--------|--------|--------|--------|--------|--------|--------|------|------|------|------|------|-------|-------|-------|
| 1.85 | 523.1 | 391.5 | 310.7 | 262.1 | 229.7 | 206.2 | 158.6 | 131.6 | 93.4 | 73.2 | 52.0 | 40.8 | 33.8 | 22.5 | 18.4 | 15.5 | 9.8 |
| 1.80 | 572.1 | 435.3 | 339.8 | 283.3 | 245.9 | 219.2 | 167.0 | 137.7 | 97.4 | 76.1 | 53.8 | 42.8 | 34.6 | 23.0 | 18.8 | 16.0 | 10.1 |
| 1.75 | 605.2 | 461.0 | 359.5 | 297.3 | 256.5 | 227.4 | 171.3 | 140.1 | 98.8 | 77.1 | 54.4 | 42.6 | 34.9 | 23.2 | 19.0 | 16.2 | 10.4 |
| 1.70 | 622.7 | 474.8 | 369.9 | 304.5 | 261.8 | 231.5 | 174.3 | 142.5 | 100.2 | 78.0 | 54.9 | 42.8 | 35.2 | 23.4 | 19.1 | 16.3 | 10.4 |
| 1.67 | 633.5 | 484.7 | 376.3 | 309.0 | 265.1 | 234.0 | 175.9 | 143.7 | 100.8 | 78.4 | 55.2 | 43.0 | 35.4 | 23.5 | 19.2 | 16.4 | 10.4 |
| 1.65 | 640.8 | 491.5 | 380.6 | 312.0 | 267.3 | 235.7 | 177.3 | 144.9 | 101.5 | 78.8 | 55.3 | 43.1 | 35.5 | 23.5 | 19.2 | 16.4 | 10.5 |

Constant Current Discharge Table - Amperes @ 25°C (77°F)

| EPV | 5 min | 10 min | 15 min | 30 min | 60 min | 90 min | 2 hr | 3 hr | 4 hr | 5 hr | 6 hr | 7 hr | 8 hr | 10 hr | 12 hr | 20 hr | 24 hr |
|------|-------|--------|--------|--------|--------|--------|------|------|------|------|------|------|------|-------|-------|-------|-------|
| 1.90 | 217.8 | 191.5 | 159.6 | 103.3 | 61.7 | 43.3 | 33.7 | 23.6 | 18.4 | 15.1 | 12.9 | 11.3 | 10.0 | 8.3 | 7.0 | 4.5 | 3.8 |
| 1.85 | 291.3 | 223.0 | 178.0 | 114.5 | 67.4 | 47.2 | 36.7 | 25.7 | 20.0 | 16.4 | 14.0 | 12.2 | 10.9 | 8.9 | 7.6 | 4.9 | 4.1 |
| 1.80 | 316.8 | 241.4 | 192.0 | 122.5 | 69.3 | 48.6 | 37.8 | 26.5 | 20.6 | 17.0 | 14.5 | 12.6 | 11.3 | 9.3 | 7.9 | 5.1 | 4.3 |
| 1.75 | 330.3 | 251.3 | 200.2 | 125.5 | 71.0 | 49.7 | 38.6 | 27.1 | 21.0 | 17.3 | 14.7 | 12.9 | 11.4 | 9.4 | 8.0 | 5.1 | 4.4 |

UPS 12-400 MRX Constant Power Discharge Table - Watts Per Cell @ 25°C (77°F)

| EPV | 5 min | 10 min | 15 min | 20 min | 25 min | 30 min | 45 min | 60 min | 90 min | 2 hr | 3 hr | 4 hr | 5 hr | 8 hr | 10 hr | 12 hr | 20 hr |
|------|-------|--------|--------|--------|--------|--------|--------|--------|--------|------|------|------|------|------|-------|-------|-------|
| 1.85 | 536.7 | 399.5 | 338.7 | 286.4 | 251.4 | 226.0 | 175.4 | 146.5 | 104.3 | 81.9 | 58.3 | 45.8 | 38.0 | 25.2 | 20.5 | 17.3 | 10.8 |
| 1.80 | 602.6 | 447.9 | 372.7 | 311.0 | 270.2 | 241.0 | 185.4 | 153.9 | 109.2 | 85.6 | 60.7 | 47.6 | 39.4 | 26.2 | 21.3 | 17.9 | 11.2 |
| 1.75 | 627.5 | 468.6 | 386.1 | 323.7 | 282.2 | 252.4 | 191.3 | 157.2 | 111.4 | 87.2 | 61.8 | 48.4 | 40.0 | 26.6 | 21.6 | 18.2 | 11.3 |
| 1.70 | 650.7 | 487.8 | 399.8 | 333.3 | 289.4 | 257.9 | 194.0 | 158.5 | 112.3 | 87.9 | 62.2 | 48.7 | 40.3 | 27.0 | 21.8 | 18.4 | 11.3 |
| 1.67 | 660.5 | 501.2 | 407.7 | 339.0 | 293.8 | 261.4 | 195.6 | 159.3 | 112.8 | 88.3 | 62.5 | 48.9 | 40.5 | 27.1 | 21.9 | 18.4 | 11.4 |
| 1.65 | 665.7 | 506.7 | 411.6 | 342.2 | 296.4 | 263.7 | 196.7 | 159.8 | 113.1 | 88.6 | 62.7 | 49.1 | 40.6 | 27.1 | 22.0 | 18.5 | 11.4 |

Constant Current Discharge Table - Amperes @ 25°C (77°F)

| EPV | 5 min | 10 min | 15 min | 30 min | 60 min | 90 min | 2 hr | 3 hr | 4 hr | 5 hr | 6 hr | 7 hr | 8 hr | 10 hr | 12 hr | 20 hr | 24 hr |
|------|-------|--------|--------|--------|--------|--------|------|------|------|------|------|------|------|-------|-------|-------|-------|
| 1.90 | 214.4 | 201.5 | 162.3 | 109.9 | 68.2 | 47.6 | 36.9 | 25.8 | 20.0 | 16.4 | 14.0 | 12.2 | 10.8 | 8.9 | 7.6 | 4.8 | 4.1 |
| 1.85 | 295.7 | 236.8 | 189.0 | 122.2 | 74.8 | 52.2 | 40.4 | 28.2 | 21.8 | 17.9 | 15.2 | 13.3 | 11.8 | 9.7 | 8.2 | 5.2 | 4.4 |
| 1.80 | 346.5 | 262.6 | 210.0 | 131.0 | 78.7 | 54.7 | 42.3 | 29.4 | 22.7 | 18.6 | 15.8 | 13.8 | 12.2 | 10.0 | 8.5 | 5.4 | 4.6 |
| 1.75 | 363.0 | 277.5 | 220.0 | 134.8 | 79.7 | 55.5 | 42.9 | 29.8 | 23.2 | 19.0 | 16.1 | 14.0 | 12.5 | 10.2 | 8.6 | 5.5 | 4.6 |

UPS 12-475 MRX Constant Power Discharge Table - Watts Per Cell @ 25°C (77°F)

| EPV | 5 min | 10 min | 15 min | 20 min | 25 min | 30 min | 45 min | 60 min | 90 min | 2 hr | 3 hr | 4 hr | 5 hr | 8 hr | 10 hr | 12 hr | 20 hr |
|------|-------|--------|--------|--------|--------|--------|--------|--------|--------|------|------|------|------|------|-------|-------|-------|
| 1.85 | 541.3 | 458.3 | 378.0 | 315.7 | 274.6 | 245.0 | 189.1 | 157.3 | 109.9 | 85.1 | 59.5 | 46.1 | 37.8 | 25.0 | 20.5 | 17.4 | 11.1 |
| 1.80 | 650.9 | 511.8 | 415.0 | 343.4 | 296.4 | 262.9 | 200.6 | 165.6 | 115.3 | 89.2 | 62.1 | 48.0 | 39.3 | 25.9 | 21.2 | 18.0 | 11.4 |
| 1.75 | 713.1 | 558.2 | 441.0 | 362.4 | 311.1 | 274.7 | 207.0 | 169.3 | 117.7 | 90.9 | 63.2 | 48.9 | 40.0 | 26.2 | 21.5 | 18.2 | 11.5 |
| 1.70 | 743.8 | 586.0 | 460.0 | 375.2 | 320.3 | 281.5 | 210.4 | 171.2 | 118.9 | 91.8 | 63.8 | 49.2 | 40.3 | 26.4 | 21.6 | 18.3 | 11.6 |
| 1.67 | 768.1 | 603.2 | 475.0 | 384.7 | 326.6 | 285.8 | 212.6 | 172.3 | 119.6 | 92.3 | 64.1 | 49.5 | 40.5 | 26.5 | 21.7 | 18.4 | 11.6 |
| 1.65 | 774.5 | 615.0 | 479.0 | 388.2 | 329.8 | 288.7 | 214.1 | 173.2 | 120.1 | 92.7 | 64.3 | 49.6 | 40.6 | 26.6 | 21.7 | 18.4 | 11.6 |

Constant Current Discharge Table - Amperes @ 25°C (77°F)

| EPV | 5 min | 10 min | 15 min | 30 min | 60 min | 90 min | 2 hr | 3 hr | 4 hr | 5 hr | 6 hr | 7 hr | 8 hr | 10 hr | 12 hr | 20 hr | 24 hr |
|------|-------|--------|--------|--------|--------|--------|------|------|------|------|------|------|------|-------|-------|-------|-------|
| 1.90 | 267.5 | 238.1 | 187.5 | 119.2 | 73.8 | 51.4 | 39.7 | 27.6 | 21.4 | 17.5 | 14.9 | 13.0 | 11.5 | 9.4 | 8.0 | 5.1 | 4.3 |
| 1.85 | 358.9 | 276.7 | 217.5 | 132.9 | 81.5 | 56.5 | 43.6 | 30.3 | 23.3 | 19.1 | 16.2 | 14.1 | 12.5 | 10.2 | 8.7 | 5.5 | 4.6 |
| 1.80 | 397.7 | 305.2 | 241.0 | 142.7 | 85.7 | 59.4 | 45.8 | 31.7 | 24.4 | 19.9 | 16.9 | 14.7 | 13.0 | 10.6 | 9.0 | 5.7 | 4.8 |
| 1.75 | 424.5 | 325.8 | 257.3 | 148.8 | 86.6 | 60.5 | 46.9 | 32.4 | 24.9 | 20.3 | 17.2 | 15.0 | 13.2 | 10.8 | 9.1 | 5.7 | 4.9 |

MRX Series

UPS 12-490 MRX

Constant Power Discharge Table - Watts Per Cell @ 25°C (77°F)

| EPV | 5 min | 10 min | 15 min | 20 min | 25 min | 30 min | 45 min | 60 min | 90 min | 2 hr | 3 hr | 4 hr | 5 hr | 8 hr | 10 hr | 12 hr | 20 hr |
|------|-------|--------|--------|--------|--------|--------|--------|--------|--------|-------|------|------|------|------|-------|-------|-------|
| 1.85 | 529.2 | 433.9 | 372.8 | 323.0 | 288.9 | 263.8 | 208.2 | 176.0 | 129.4 | 104.0 | 73.8 | 57.9 | 48.1 | 32.1 | 26.5 | 22.7 | 14.6 |
| 1.80 | 621.7 | 504.9 | 421.8 | 359.0 | 316.8 | 286.1 | 222.4 | 186.0 | 136.8 | 110.0 | 77.8 | 60.7 | 50.0 | 33.3 | 27.5 | 23.5 | 15.1 |
| 1.75 | 674.1 | 543.8 | 449.5 | 379.0 | 332.0 | 298.0 | 229.0 | 190.0 | 138.5 | 110.7 | 78.2 | 61.7 | 50.9 | 33.8 | 27.9 | 23.8 | 15.3 |
| 1.70 | 730.2 | 584.8 | 478.9 | 400.3 | 348.2 | 310.8 | 235.9 | 194.0 | 140.1 | 111.2 | 78.6 | 61.4 | 50.8 | 34.0 | 28.1 | 24.0 | 15.5 |
| 1.67 | 770.5 | 605.3 | 494.9 | 411.4 | 356.4 | 317.0 | 238.6 | 195.0 | 140.7 | 111.6 | 78.9 | 61.7 | 50.9 | 34.1 | 28.1 | 24.1 | 15.5 |
| 1.65 | 800.4 | 623.9 | 505.8 | 419.0 | 362.0 | 321.3 | 240.6 | 196.0 | 141.2 | 111.9 | 79.1 | 61.8 | 51.1 | 34.1 | 28.2 | 24.1 | 15.6 |

Constant Current Discharge Table - Amperes @ 25°C (77°F)

| EPV | 5 min | 10 min | 15 min | 30 min | 60 min | 90 min | 2 hr | 3 hr | 4 hr | 5 hr | 6 hr | 7 hr | 8 hr | 10 hr | 12 hr | 20 hr | 24 hr |
|------|-------|--------|--------|--------|--------|--------|------|------|------|------|------|------|------|-------|-------|-------|-------|
| 1.90 | 214.2 | 212.4 | 188.8 | 131.0 | 80.0 | 58.2 | 46.4 | 33.4 | 26.4 | 22.0 | 19.1 | 16.7 | 14.8 | 12.0 | 10.2 | 6.4 | 5.4 |
| 1.85 | 295.0 | 269.1 | 220.2 | 147.6 | 91.5 | 65.5 | 51.6 | 36.9 | 29.1 | 24.2 | 21.0 | 18.4 | 16.3 | 13.3 | 11.3 | 7.1 | 6.0 |
| 1.80 | 383.7 | 312.2 | 249.6 | 160.0 | 97.2 | 69.2 | 54.4 | 38.7 | 30.4 | 25.2 | 21.8 | 19.1 | 16.9 | 13.8 | 11.7 | 7.3 | 6.2 |
| 1.75 | 422.3 | 334.0 | 266.5 | 166.3 | 98.5 | 70.0 | 55.0 | 39.4 | 31.2 | 25.8 | 22.3 | 19.6 | 17.3 | 14.1 | 11.9 | 7.5 | 6.3 |

UPS 12-550 MRX

Constant Power Discharge Table - Watts Per Cell @ 25°C (77°F)

| EPV | 5 min | 10 min | 15 min | 20 min | 25 min | 30 min | 45 min | 60 min | 90 min | 2 hr | 3 hr | 4 hr | 5 hr | 8 hr | 10 hr | 12 hr | 20 hr |
|------|-------|--------|--------|--------|--------|--------|--------|--------|--------|-------|------|------|------|------|-------|-------|-------|
| 1.85 | 566.2 | 478.4 | 408.3 | 350.6 | 311.5 | 282.8 | 224.4 | 190.4 | 135.6 | 106.6 | 76.0 | 59.7 | 49.5 | 33.4 | 27.2 | 23.1 | 14.5 |
| 1.80 | 688.4 | 561.9 | 467.7 | 393.2 | 343.7 | 307.9 | 239.8 | 200.8 | 142.3 | 111.4 | 79.0 | 61.9 | 51.2 | 34.6 | 28.4 | 24.0 | 15.0 |
| 1.75 | 771.2 | 616.5 | 508.7 | 422.0 | 365.0 | 324.2 | 248.9 | 206.3 | 145.9 | 114.0 | 80.6 | 63.0 | 52.1 | 35.2 | 28.7 | 24.2 | 15.2 |
| 1.70 | 829.3 | 655.1 | 534.1 | 439.4 | 377.5 | 333.6 | 253.4 | 208.5 | 147.2 | 115.0 | 81.2 | 63.5 | 52.4 | 35.3 | 28.8 | 24.4 | 15.3 |
| 1.67 | 870.0 | 683.0 | 550.1 | 453.9 | 391.0 | 346.2 | 258.2 | 209.7 | 148.0 | 115.6 | 81.6 | 63.7 | 52.6 | 35.4 | 28.8 | 24.4 | 15.3 |
| 1.65 | 899.9 | 693.8 | 561.1 | 461.5 | 396.5 | 350.3 | 259.8 | 210.2 | 148.5 | 116.0 | 81.8 | 63.9 | 52.7 | 35.5 | 28.9 | 24.4 | 15.3 |

Constant Current Discharge Table - Amperes @ 25°C (77°F)

| EPV | 5 min | 10 min | 15 min | 30 min | 60 min | 90 min | 2 hr | 3 hr | 4 hr | 5 hr | 6 hr | 7 hr | 8 hr | 10 hr | 12 hr | 20 hr | 24 hr |
|------|-------|--------|--------|--------|--------|--------|------|------|------|------|------|------|------|-------|-------|-------|-------|
| 1.90 | 284.9 | 246.3 | 206.9 | 145.3 | 88.4 | 64.5 | 51.7 | 36.4 | 28.5 | 23.6 | 20.0 | 17.3 | 15.4 | 12.5 | 10.6 | 6.7 | 5.6 |
| 1.85 | 350.2 | 294.6 | 246.6 | 162.4 | 97.3 | 71.2 | 57.0 | 39.7 | 30.8 | 25.2 | 21.4 | 18.7 | 16.6 | 13.6 | 11.6 | 7.3 | 6.2 |
| 1.80 | 423.8 | 342.0 | 279.0 | 176.5 | 103.2 | 75.1 | 59.9 | 41.6 | 32.2 | 26.3 | 22.4 | 19.5 | 17.3 | 14.1 | 12.0 | 7.6 | 6.4 |
| 1.75 | 467.3 | 363.2 | 299.0 | 182.9 | 106.3 | 77.1 | 61.4 | 42.6 | 32.8 | 26.8 | 22.8 | 19.8 | 17.6 | 14.4 | 12.2 | 7.7 | 6.5 |

UPS 12-630 MRX

Constant Power Discharge Table - Watts Per Cell @ 25°C (77°F)

| EPV | 5 min | 10 min | 15 min | 20 min | 25 min | 30 min | 45 min | 60 min | 90 min | 2 hr | 3 hr | 4 hr | 5 hr | 8 hr | 10 hr | 12 hr | 20 hr |
|------|--------|--------|--------|--------|--------|--------|--------|--------|--------|-------|------|------|------|------|-------|-------|-------|
| 1.85 | 792.8 | 638.3 | 532.4 | 443.0 | 377.6 | 336.4 | 245.2 | 195.9 | 140.0 | 110.3 | 76.5 | 58.9 | 48.1 | 31.4 | 25.6 | 21.7 | 13.6 |
| 1.80 | 919.5 | 713.3 | 583.5 | 480.2 | 405.5 | 358.8 | 258.1 | 204.2 | 145.6 | 114.5 | 79.4 | 61.1 | 49.9 | 32.6 | 26.6 | 22.5 | 14.0 |
| 1.75 | 978.0 | 759.6 | 602.0 | 499.9 | 419.3 | 369.2 | 265.0 | 209.5 | 149.2 | 117.3 | 81.3 | 62.5 | 51.0 | 33.3 | 27.1 | 23.0 | 14.3 |
| 1.70 | 1008.1 | 775.9 | 625.4 | 508.5 | 424.9 | 373.1 | 267.7 | 211.5 | 150.5 | 118.3 | 81.9 | 63.0 | 51.4 | 33.5 | 27.3 | 23.1 | 14.4 |
| 1.67 | 1017.4 | 784.5 | 630.0 | 512.4 | 428.2 | 376.1 | 269.7 | 213.0 | 151.5 | 118.9 | 82.3 | 63.3 | 51.6 | 33.5 | 27.3 | 23.1 | 14.4 |
| 1.65 | 1032.5 | 792.0 | 636.1 | 516.4 | 430.9 | 378.0 | 270.9 | 213.9 | 152.1 | 119.4 | 82.5 | 63.4 | 51.7 | 33.6 | 27.4 | 23.1 | 14.4 |

Constant Current Discharge Table - Amperes @ 25°C (77°F)

| EPV | 5 min | 10 min | 15 min | 30 min | 60 min | 90 min | 2 hr | 3 hr | 4 hr | 5 hr | 6 hr | 7 hr | 8 hr | 10 hr | 12 hr | 20 hr | 24 hr |
|------|-------|--------|--------|--------|--------|--------|------|------|------|------|------|------|------|-------|-------|-------|-------|
| 1.90 | 260.7 | 256.7 | 217.1 | 146.8 | 88.1 | 62.6 | 49.1 | 34.4 | 26.6 | 21.7 | 18.4 | 15.9 | 14.1 | 11.5 | 9.7 | 6.1 | 5.1 |
| 1.85 | 368.4 | 312.8 | 253.7 | 167.9 | 98.2 | 69.4 | 54.3 | 38.0 | 29.4 | 24.0 | 20.3 | 17.6 | 15.5 | 12.6 | 10.6 | 6.6 | 5.6 |
| 1.80 | 455.9 | 362.4 | 292.0 | 185.0 | 104.2 | 73.4 | 57.2 | 40.2 | 31.0 | 25.2 | 21.3 | 18.4 | 16.2 | 13.2 | 11.1 | 6.9 | 5.8 |
| 1.75 | 495.3 | 389.9 | 311.3 | 189.5 | 106.4 | 74.7 | 58.1 | 40.8 | 31.4 | 25.5 | 21.5 | 18.6 | 16.4 | 13.3 | 11.2 | 7.0 | 5.9 |

UPS 12-700 MRX Constant Power Discharge Table - Watts Per Cell @ 25°C (77°F)

| EPV | 5 min | 10 min | 15 min | 20 min | 25 min | 30 min | 45 min | 60 min | 90 min | 2 hr | 3 hr | 4 hr | 5 hr | 8 hr | 10 hr | 12 hr | 20 hr |
|------|--------|--------|--------|--------|--------|--------|--------|--------|--------|-------|-------|------|------|------|-------|-------|-------|
| 1.85 | 737.8 | 690.8 | 595.4 | 503.3 | 434.9 | 391.4 | 308.2 | 260.2 | 192.9 | 155.9 | 111.9 | 87.7 | 72.6 | 48.7 | 40.3 | 34.6 | 22.0 |
| 1.80 | 963.4 | 780.5 | 651.2 | 548.1 | 471.9 | 423.5 | 329.1 | 275.1 | 203.3 | 164.0 | 117.4 | 91.8 | 75.8 | 50.7 | 41.9 | 35.9 | 22.7 |
| 1.75 | 1062.9 | 824.0 | 676.2 | 568.2 | 488.5 | 437.9 | 338.5 | 281.9 | 206.9 | 166.2 | 119.1 | 93.2 | 76.8 | 51.6 | 42.7 | 36.5 | 23.2 |
| 1.70 | 1120.1 | 853.9 | 692.5 | 582.1 | 500.5 | 448.8 | 344.4 | 285.3 | 209.5 | 168.2 | 120.3 | 94.0 | 77.7 | 52.1 | 43.1 | 36.9 | 23.4 |
| 1.67 | 1138.4 | 866.3 | 700.0 | 588.0 | 505.3 | 452.9 | 346.3 | 286.2 | 210.3 | 168.9 | 120.8 | 94.4 | 78.0 | 52.2 | 43.1 | 36.9 | 23.4 |
| 1.65 | 1151.2 | 874.4 | 707.2 | 592.8 | 508.6 | 455.3 | 348.3 | 288.0 | 211.2 | 169.5 | 121.1 | 94.6 | 78.2 | 52.3 | 43.2 | 36.9 | 23.4 |

Constant Current Discharge Table - Amperes @ 25°C (77°F)

| EPV | 5 min | 10 min | 15 min | 30 min | 60 min | 90 min | 2 hr | 3 hr | 4 hr | 5 hr | 6 hr | 7 hr | 8 hr | 10 hr | 12 hr | 20 hr | 24 hr |
|------|-------|--------|--------|--------|--------|--------|------|------|------|------|------|------|------|-------|-------|-------|-------|
| 1.90 | 254.3 | 254.3 | 250.7 | 176.3 | 117.6 | 85.7 | 68.5 | 50.4 | 40.5 | 33.6 | 28.8 | 25.3 | 22.5 | 18.5 | 15.7 | 9.9 | 8.3 |
| 1.85 | 380.5 | 364.9 | 301.2 | 198.7 | 132.6 | 96.8 | 77.4 | 55.7 | 44.7 | 37.0 | 31.6 | 27.7 | 24.6 | 20.2 | 17.1 | 10.7 | 9.1 |
| 1.80 | 506.6 | 437.7 | 342.8 | 220.5 | 141.0 | 102.2 | 81.3 | 58.9 | 47.1 | 38.8 | 33.2 | 29.0 | 25.8 | 21.1 | 17.9 | 11.2 | 9.4 |
| 1.75 | 586.4 | 461.5 | 359.1 | 225.6 | 144.9 | 104.4 | 82.7 | 60.2 | 48.1 | 39.6 | 33.9 | 29.6 | 26.3 | 21.5 | 18.3 | 11.4 | 9.6 |

UPS 12-720 MRX Constant Power Discharge Table - Watts Per Cell @ 25°C (77°F)

| EPV | 5 min | 10 min | 15 min | 20 min | 25 min | 30 min | 45 min | 60 min | 90 min | 2 hr | 3 hr | 4 hr | 5 hr | 8 hr | 10 hr | 12 hr | 20 hr |
|------|--------|--------|--------|--------|--------|--------|--------|--------|--------|-------|-------|------|------|------|-------|-------|-------|
| 1.85 | 758.9 | 710.6 | 612.4 | 517.7 | 447.3 | 402.5 | 317.0 | 267.6 | 198.4 | 160.4 | 115.1 | 90.2 | 74.6 | 50.1 | 41.5 | 35.5 | 22.6 |
| 1.80 | 990.9 | 802.8 | 669.9 | 563.8 | 485.4 | 435.6 | 338.5 | 283.0 | 209.1 | 168.7 | 120.7 | 94.4 | 78.0 | 52.2 | 43.1 | 36.9 | 23.4 |
| 1.75 | 1093.2 | 847.6 | 695.6 | 584.5 | 502.5 | 450.4 | 348.1 | 290.0 | 212.9 | 170.9 | 122.5 | 95.8 | 79.0 | 53.1 | 43.9 | 37.5 | 23.8 |
| 1.70 | 1152.1 | 878.3 | 712.3 | 598.7 | 514.8 | 461.6 | 354.2 | 293.5 | 215.5 | 173.1 | 123.7 | 96.7 | 79.9 | 53.6 | 44.3 | 37.9 | 24.0 |
| 1.67 | 1170.9 | 891.0 | 720.0 | 604.8 | 519.8 | 465.9 | 356.2 | 294.4 | 216.3 | 173.7 | 124.2 | 97.1 | 80.2 | 53.7 | 44.3 | 37.9 | 24.1 |
| 1.65 | 1184.1 | 899.3 | 727.4 | 609.8 | 523.2 | 468.3 | 358.2 | 296.2 | 217.3 | 174.4 | 124.5 | 97.3 | 80.4 | 53.8 | 44.4 | 38.0 | 24.1 |

Constant Current Discharge Table - Amperes @ 25°C (77°F)

| EPV | 5 min | 10 min | 15 min | 30 min | 60 min | 90 min | 2 hr | 3 hr | 4 hr | 5 hr | 6 hr | 7 hr | 8 hr | 10 hr | 12 hr | 20 hr | 24 hr |
|------|-------|--------|--------|--------|--------|--------|------|------|------|------|------|------|------|-------|-------|-------|-------|
| 1.90 | 261.6 | 261.6 | 257.8 | 181.4 | 120.9 | 88.1 | 70.4 | 51.9 | 41.7 | 34.6 | 29.6 | 26.0 | 23.2 | 19.0 | 16.2 | 10.1 | 8.6 |
| 1.85 | 391.3 | 375.3 | 309.8 | 204.4 | 136.4 | 99.6 | 79.7 | 57.3 | 46.0 | 38.0 | 32.6 | 28.4 | 25.3 | 20.7 | 17.6 | 11.0 | 9.3 |
| 1.80 | 521.1 | 450.2 | 352.6 | 226.8 | 145.1 | 105.1 | 83.6 | 60.6 | 48.5 | 39.9 | 34.1 | 29.8 | 26.6 | 21.7 | 18.4 | 11.5 | 9.7 |
| 1.75 | 603.1 | 474.7 | 369.4 | 232.0 | 149.0 | 107.4 | 85.1 | 61.9 | 49.5 | 40.8 | 34.8 | 30.5 | 27.0 | 22.2 | 18.8 | 11.7 | 9.9 |

UPS 12-800 MRX Constant Power Discharge Table - Watts Per Cell @ 25°C (77°F)

| EPV | 5 min | 10 min | 15 min | 20 min | 25 min | 30 min | 45 min | 60 min | 90 min | 2 hr | 3 hr | 4 hr | 5 hr | 8 hr | 10 hr | 12 hr | 20 hr |
|------|--------|--------|--------|--------|--------|--------|--------|--------|--------|-------|-------|------|------|------|-------|-------|-------|
| 1.85 | 862.3 | 786.7 | 662.6 | 556.3 | 477.9 | 422.5 | 320.9 | 261.5 | 195.0 | 158.3 | 114.1 | 89.6 | 74.4 | 49.8 | 40.9 | 34.7 | 21.7 |
| 1.80 | 1120.1 | 907.8 | 744.0 | 618.1 | 526.2 | 462.1 | 348.1 | 282.0 | 208.6 | 168.4 | 120.9 | 94.5 | 78.0 | 51.9 | 42.5 | 36.1 | 22.7 |
| 1.75 | 1263.6 | 955.7 | 776.8 | 644.6 | 548.1 | 481.0 | 360.6 | 291.2 | 213.7 | 171.6 | 123.5 | 96.3 | 79.3 | 52.8 | 43.2 | 36.8 | 23.1 |
| 1.70 | 1301.5 | 983.7 | 795.5 | 660.8 | 562.4 | 493.9 | 369.3 | 297.6 | 217.8 | 174.5 | 125.2 | 97.7 | 80.4 | 53.6 | 44.0 | 37.3 | 23.4 |
| 1.67 | 1311.2 | 990.9 | 800.0 | 665.9 | 567.8 | 499.3 | 372.4 | 299.6 | 219.2 | 175.7 | 125.9 | 98.2 | 81.0 | 53.9 | 44.3 | 37.5 | 23.6 |
| 1.65 | 1320.6 | 996.2 | 805.7 | 670.4 | 571.4 | 502.3 | 374.3 | 300.9 | 220.1 | 176.4 | 126.3 | 98.6 | 81.4 | 54.2 | 44.5 | 37.7 | 23.6 |

Constant Current Discharge Table - Amperes @ 25°C (77°F)

| EPV | 5 min | 10 min | 15 min | 30 min | 60 min | 90 min | 2 hr | 3 hr | 4 hr | 5 hr | 6 hr | 7 hr | 8 hr | 10 hr | 12 hr | 20 hr | 24 hr |
|------|-------|--------|--------|--------|--------|--------|------|------|------|------|------|------|------|-------|-------|-------|-------|
| 1.90 | 312.1 | 303.3 | 271.9 | 189.0 | 123.1 | 91.0 | 73.4 | 53.0 | 41.5 | 34.3 | 29.1 | 25.4 | 22.6 | 18.5 | 15.7 | 9.9 | 8.3 |
| 1.85 | 455.7 | 399.1 | 329.6 | 214.7 | 135.7 | 100.1 | 80.6 | 58.2 | 45.7 | 37.6 | 31.9 | 27.7 | 24.6 | 20.1 | 17.0 | 10.6 | 8.9 |
| 1.80 | 599.4 | 473.4 | 371.5 | 231.7 | 143.2 | 105.7 | 85.2 | 61.6 | 48.0 | 39.4 | 33.4 | 29.0 | 25.7 | 21.0 | 17.8 | 11.1 | 9.3 |
| 1.75 | 690.7 | 506.2 | 401.1 | 239.8 | 146.5 | 108.2 | 87.3 | 63.0 | 49.1 | 40.4 | 34.2 | 29.7 | 26.3 | 21.5 | 18.2 | 11.3 | 9.5 |

MRX Series

UPS 12-830 MRX

Constant Power Discharge Table - Watts Per Cell @ 25°C (77°F)

| EPV | 5 min | 10 min | 15 min | 20 min | 25 min | 30 min | 45 min | 60 min | 90 min | 2 hr | 3 hr | 4 hr | 5 hr | 8 hr | 10 hr | 12 hr | 20 hr |
|------|--------|--------|--------|--------|--------|--------|--------|--------|--------|-------|-------|-------|------|------|-------|-------|-------|
| 1.85 | 894.7 | 816.2 | 687.5 | 577.2 | 495.8 | 438.3 | 332.9 | 271.3 | 202.3 | 164.2 | 118.4 | 93.0 | 77.2 | 51.7 | 42.4 | 36.0 | 19.0 |
| 1.80 | 1162.1 | 941.8 | 771.9 | 641.3 | 545.9 | 479.4 | 361.2 | 292.6 | 216.4 | 174.7 | 125.5 | 98.0 | 80.9 | 53.9 | 44.1 | 37.4 | 19.9 |
| 1.75 | 1310.9 | 991.6 | 805.9 | 668.7 | 568.7 | 499.1 | 374.2 | 302.1 | 221.7 | 178.0 | 128.1 | 99.9 | 82.3 | 54.8 | 44.9 | 38.1 | 20.2 |
| 1.70 | 1350.3 | 1020.6 | 825.3 | 685.5 | 583.5 | 512.4 | 383.1 | 308.8 | 226.0 | 181.1 | 129.9 | 101.4 | 83.4 | 55.6 | 45.6 | 38.7 | 20.4 |
| 1.67 | 1360.4 | 1028.0 | 830.0 | 690.8 | 589.1 | 518.0 | 386.3 | 310.8 | 227.5 | 182.3 | 130.6 | 101.9 | 84.0 | 56.0 | 46.0 | 39.0 | 20.6 |
| 1.65 | 1370.1 | 1033.6 | 836.0 | 695.5 | 592.8 | 521.1 | 388.3 | 312.1 | 228.4 | 183.0 | 131.0 | 102.3 | 84.4 | 56.2 | 46.1 | 39.1 | 20.7 |

Constant Current Discharge Table - Amperes @ 25°C (77°F)

| EPV | 5 min | 10 min | 15 min | 30 min | 60 min | 90 min | 2 hr | 3 hr | 4 hr | 5 hr | 6 hr | 7 hr | 8 hr | 10 hr | 12 hr | 20 hr | 24 hr |
|------|-------|--------|--------|--------|--------|--------|------|------|------|------|------|------|------|-------|-------|-------|-------|
| 1.90 | 323.8 | 314.6 | 282.1 | 196.0 | 127.8 | 94.4 | 76.2 | 55.0 | 43.0 | 35.6 | 30.2 | 26.4 | 23.4 | 19.2 | 16.3 | 10.3 | 8.6 |
| 1.85 | 472.8 | 414.1 | 342.0 | 222.8 | 140.8 | 103.8 | 83.6 | 60.4 | 47.4 | 39.0 | 33.1 | 28.8 | 25.5 | 20.8 | 17.7 | 11.0 | 9.3 |
| 1.80 | 621.9 | 491.2 | 385.4 | 240.4 | 148.5 | 109.7 | 88.4 | 63.9 | 49.8 | 40.9 | 34.7 | 30.1 | 26.7 | 21.8 | 18.5 | 11.5 | 9.6 |
| 1.75 | 716.6 | 525.2 | 416.1 | 248.8 | 152.0 | 112.2 | 90.5 | 65.4 | 50.9 | 41.9 | 35.5 | 30.9 | 27.3 | 22.3 | 18.9 | 11.8 | 9.9 |

Note: Specifications subject to change without notification.

Batteries to be mounted with 15 mm spacing minimum and free air ventilation.

Above ratings do not include interunit connector voltage drops.

The design life listed indicates the service life under ideal service conditions. Changes in service conditions do not affect the design life, but the actual service life will be shorter than the design life.

Power

YOU CAN DEPEND ON

C&D leads the innovation and delivery of energy storage solutions to power the world safely and sustainably. We have been delivering world-class power solutions for mission-critical industrial applications for more than 100 years, manufacturing and supporting innovative systems for the conversion and storage of electrical power.

As a global leader in energy storage solutions and services for the telecommunications, utility, uninterruptible power supply, cable, broadband and renewable energy markets, C&D is committed to providing high-quality, reliable, cost-effective power storage products and services to our customers. With the 2019 acquisition of Trojan Battery Company, a leading manufacturer of deep-cycle batteries for motive applications, C&D created one of the largest energy storage solution providers in the world.

Together, the ability to handle all aspects of industrial energy storage, including battery installation, maintenance and recycling is greatly enhanced. As trusted power solutions partners, C&D and Trojan will continue to innovate and develop new technologies aimed at powering the future.

LONG
DURATION
SERIES

MCT II

X SERIES

HIGH
RATE
MAX

Liberty®

SAGEON™

NTEGRITY

m-s endur® II



TECHNOLOGIES

Contact us

Headquarters

C&D Technologies, Inc.
200 Precision Road
Horsham, PA 19044 USA

Europe

C&D Technologies (UK) Limited
Unit 25, Romsey Industrial Estate, Greatbridge Road
ROMSEY, Hampshire, SO51 0HR, UK
Office: +44 (0) 1794 518 173
E-mail: Gdaily@cdtrojan.com

Middle East & Africa

C&D TECHNOLOGIES (UK) LIMITED
LOB 15 – OFFICE 413
PO BOX 263116
JEBEL ALI FREE ZONE
DUBAI – UNITED ARAB EMIRATES
PH: +971 5045 494 79
E-mail: phockings@cdtrojan.com

C&D Tech Power Solutions (India) Private Limited

NEW NUMBER 39, OLD NUMBER 15, GROUND FLOOR, AGASTHIAR STREET,
EAST TAMBARAM, CHENNAI 600059.
Tel:(91) 98400 86199
E-mail: ishantharaj@cdtrojan.com.cn

C&D Technologies (Hong Kong) Ltd.

Tel: (852) 2119 9870
Fax: (852) 2117 0342
E-mail: Bhui@cdtrojan.com

C&D Tech (Singapore) Pte Ltd.

Tel: (65) 6291 1031
Fax: (65) 6291 0767
E-mail: Bhui@cdtrojan.com

C&D Trojan (Shanghai) Energy Technologies Co., Ltd.

Tel: 400-678-3721

C&D Trojan (Shanghai) Power Technologies Co., Ltd.

No.55 Liandu Road,Spark Development Zone,Shanghai, China
Tel: (86) 21 3711 1222

C&D Jiangsu Technologies Co., Ltd.

Circular Economy Industrial Park
Pizhou High-tech Industrial Development Zone,
Jiangsu Prvince China 221300
Tel: (86) 516 8687 9857

Website

www.cdtrojan.cn

China Service Hotline: 400-678-3721

C&D reserves the right to revise the data and information provided in this catalogue.