

*Power You Can
Depend On*



PLM Series

Valve Regulated Lead Acid

— Super long life, reducing TCO



WWW.CDTROJAN.CN

PLM Series

PURE
Pb
MAX

PURE LEAD MAX

Change your battery. Change your world.



Pure Lead Max is C&D's longest lasting VRLA battery for UPS systems and has an industry leading 7.5-year warranty

Benefits



Single Replacement

Proprietary pure lead technology, combined with design of less water-loss which extends battery life



Energy Conservation

50% lower float charge current which extends battery life and reduces power loss



Promoting Green & Low-carbon

Excellent high-temperature performance, allowing operation at 30 °C with much lower refrigeration, reducing PUE



Less Maintenance

Based on recommended maintenance schedule

APPLICATIONS

- Data Centers
- Network Operation Centers
- Industrial Process Control Facilities
- Internet Housing Sites
- Semiconductor Manufacturing
- Banks and Financial Markets
- Power Generation Plants
- Hospital and Testing Laboratories
- Emergency Response Center

FEATURES AND BENEFITS

- 16y design life Eurobat: very long life
- 7.5y warranty @25°C, 5y@ 30°C
- C&D's super long-life MSE pure lead plate processing technology for high active materials utilization- result in high energy density and low flow currents
- Design of less water-loss extends service life
- Patented Long-Life Alloy in the grids to minimize grid growth, reduce gassing, and extend battery life
- Available in both Top terminal and TFA(True Front Access) formats
- Our TFA design maximizes energy density and minimizes internal resistance by providing a direct connection from the plates to the terminals
- Patented UL Recognized Flame-arresting vents in each cell for safety
- Designed with the same recombination thermal runaway prevention, gassing and flame-retardant characteristics of the Bellcore

- 4228 compliant Dynasty Telecom products
- Flame retardant polypropylene case and cover compliant with UL94 V-0
- Thermally welded and leak tested case to-cover bond ensures a robust leak proof seal
- Not restricted for air transport -Complies with IATA/ICAO Special Provisions A67
- Not restricted for surface transport - Classified as non-hazardous material as related to DOT-CFR Title 49 parts171- 189
- Not restricted for water transport - Classified as non-hazardous material per IMDG Amendment 27
- Manufactured in accordance with ISO 9001, ISO 14001, ISO 45001 and ISO 50001
- Designed to be compliant with international standard IEC 60896-21/22

Specifications

Model	V	C20 (Ah) 1.75EPV,25°C	C10 (Ah) 1.80EPV,20°C	C8 (Ah) 1.75EPV,25°C	5min Watt/cell @ 1.67EPV	Dimensions/mm (L*W*H*total Height)				Weight/ kg	Terminal Type (Bolt)
UPS 12-1100 PLM	12	34	30	30	177.9	197	132	166	173	10.7	Inserted(#10-32 UNF)
UPS 12-1500 PLM	12	36	32	33	249.0	197	132	166	173	12.4	Inserted(#10-32 UNF)
UPS 12-2200 PLM	12	56	49.5	50	371.4	242	142	200	205	19.0	Inserted(#10-32 UNF)
UPS 12-3300 PLM	12	84	76.6	79	552.4	273	173	201	204	27.0	Inserted (1/4-20 UNC)
UPS 12-3800 PLM	12	102	90	91	643.0	319	173	203	206	31.5	Inserted (1/4-20 UNC)
UPS 12-4000 PLM	12	110	97	99	667.4	341	173	213	216	35.3	Inserted (1/4-20 UNC)
UPS 12-4700 PLM	12	114	103	106	779.6	341	173	215	218	38.0	Inserted (1/4-20 UNC)
UPS 12-4800 PLM	12	150	134	138	782.0	345	173	275	278	46.6	Inserted (1/4-20 UNC)
UPS 12-5400 PLM	12	154	137	141	883.1	345	173	275	278	48.6	Inserted (1/4-20 UNC)
UPS 12-6300 PLM	12	140	128	131	1032.7	345	173	275	278	52.9	Inserted (1/4-20 UNC)
UPS 12-6900FD PLM	12	228	204	210	1149.8	527	239	227	227	66.0	Inserted(M8)
UPS 12-7000FD PLM	12	234	210	216	1182.6	527	239	227	227	67.3	Inserted(M8)
UPS 12-7900FD PLM	12	226	203	210	1324.4	527	239	227	227	71.0	Inserted(M8)
UPS 12-8200FD PLM	12	236	211	218	1374.0	527	239	227	227	72.0	Inserted(M8)
UPS 12-4200F PLM	12	110	99	102	711.6	511	109	231	231	37.1	Inserted (M6)
UPS 12-6200F PLM	12	172	158	162	1042.5	559	125	278	278	55.2	Inserted (M8)
UPS 12-6800F PLM	12	202	182	189	1165.9	559	125	322	322	64.9	Inserted (M8)
UPS 12-8000F PLM	12	252	230	238	1347.9	559	154	322	322	75.5	Inserted (M8)
UPS 12-9200F PLM	12	254	231	238	1600.0	559	154	322	322	84.1	Inserted (M8)

*All dimensions are for reference only. Model name with "F" means Front Access battery. Contact a C&D Representative for complete dimensional information.

Specifications

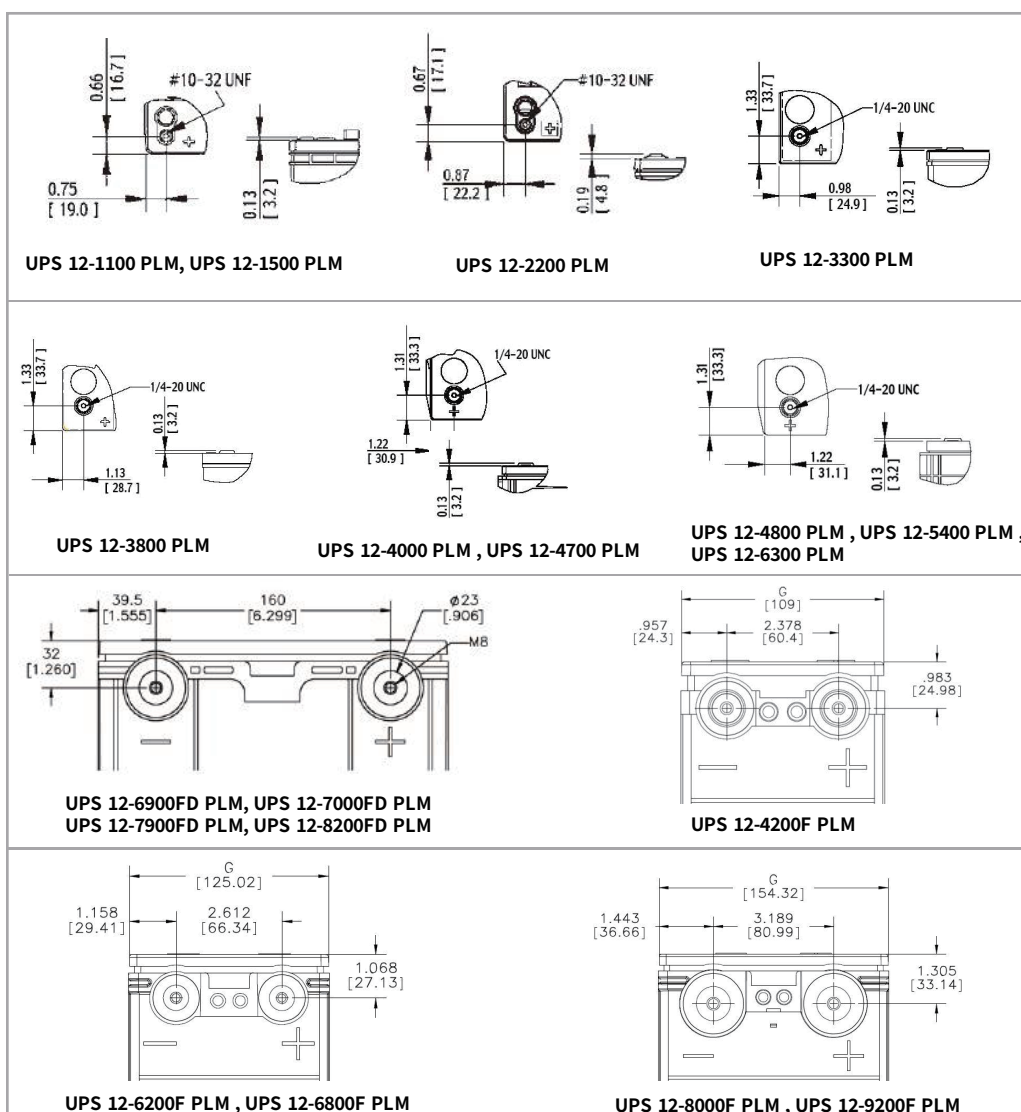
Model	Cell per Unit	Maximum Discharge Current (Amps)	IEC Short Current (Amps)	IEC Resistance (mΩ)
UPS 12-1100 PLM	6	300	1003	12.35
UPS 12-1500 PLM	6	300	1475	8.45
UPS 12-2200 PLM	6	300	1985	6.37
UPS 12-3300 PLM	6	800	2381	5.29
UPS 12-3800 PLM	6	800	2734	4.65
UPS 12-4000 PLM	6	800	3199	4.06
UPS 12-4700 PLM	6	800	3350	3.77
UPS 12-4800 PLM	6	800	3160	3.96
UPS 12-5400 PLM	6	800	3613	3.48
UPS 12-6300 PLM	6	800	4146	2.99
UPS 12-6900FD PLM	6	1000	5150	2.80
UPS 12-7000FD PLM	6	1000	5300	2.70
UPS 12-7900FD PLM	6	1200	5900	2.40
UPS 12-8200FD PLM	6	1200	6150	2.30
UPS 12-4200F PLM	6	800	2864	4.40
UPS 12-6200F PLM	6	800	3698	3.40
UPS 12-6800F PLM	6	900	4400	2.80
UPS 12-8000F PLM	6	1200	5376	2.31
UPS 12-9200F PLM	6	1200	5543	2.28

PLM Series

Specifications

Operating Temperature Range with temperature compensation	Discharge: -40°F (-40°C) to +160°F (71°C) Charge: -10°F (-23°C) to +140°F (60°C)
Nominal Operating Temperature Range	+74°F (23°C) to +80°F (27°C)
Recommended Maximum Charging Current Limit	C/5 amperes @ 20hr rate
Float Charging Voltage	13.65 ±0.15 VDC average per 12V unit
Maximum AC Ripple (Charger)	0.5% RMS or 1.5% P-P of float charge voltage recommended for best results. Max voltage allowed = 1.4% RMS (4% P-P) Max current allowed = C/20 A RMS
Self Discharge	Battery can be stored up to 24 months at 77°F (25°C) before a freshening charge is required. Batteries stored at temperatures greater than 77°F (25°C) will require recharge sooner than batteries stored at lower temperatures. See C&D brochure 41-7272, Self-Discharge and Inventory Control for details.
Equalize charge and cycle service voltage	14.40 to 14.80 VDC average per 12V unit @ 77°F (25°C)

Battery Terminations



UPS12-1100 PLM

TOP TERMINAL



END POINT VOLTS/CELL	Constant Power Discharge- Watts Per Cell @ 25°C(77°F)												
	Operating Time to End Point Voltage												
	1min	2min	3min	4min	5 min	10 min	15 min	20 min	25 min	30 min	45 min	60 min	90 min
1.85	-	-	-	-	143.9	105.8	86.4	72.7	63.6	57.0	44.2	36.9	27.4
1.80	-	-	-	-	158.7	117.7	95.2	79.3	68.8	61.3	47.0	39.0	28.6
1.75	-	-	-	-	167.5	127.0	99.5	82.8	71.8	63.9	48.6	40.0	29.0
1.70	215.3	215.3	205.9	185.1	173.9	131.7	103.3	85.5	73.7	65.4	49.4	40.5	29.3
1.67	220.1	220.1	211.2	190.0	177.9	134.0	105.7	87.1	74.9	66.3	49.9	40.8	29.4
1.65	223.4	223.4	214.1	193.7	180.6	136.5	107.3	88.2	75.7	66.9	50.2	41.0	29.6

END POINT VOLTS/CELL	Constant Current Discharge- Amperes @ 25°C(77°F)												
	Operating Time to End Point Voltage												
	5 min	10 min	15 min	30 min	60 min	2 hr	3 hr	5 hr	8 hr	10 hr	12 hr	20 hr	
1.90	68.2	52.4	42.2	28.4	18.2	10.5	7.5	4.9	3.3	2.7	2.3	1.5	
1.85	80.0	61.1	48.5	31.4	20.1	11.4	8.2	5.4	3.6	2.9	2.5	1.6	
1.80	88.6	68.0	53.7	33.6	21.0	11.9	8.5	5.6	3.7	3.1	2.6	1.7	
1.75	93.3	71.3	56.3	34.9	21.5	12.1	8.6	5.7	3.8	3.1	2.6	1.7	

UPS12-1500 PLM

END POINT VOLTS/CELL	Constant Power Discharge- Watts Per Cell @ 25°C(77°F)												
	Operating Time to End Point Voltage												
	1min	2min	3min	4min	5 min	10 min	15 min	20 min	25 min	30 min	45 min	60 min	90 min
1.85	-	-	-	-	204.4	156.3	124.0	101.4	86.9	76.5	56.9	46.0	32.5
1.80	-	-	-	-	225.9	172.5	137.0	110.5	93.7	81.8	59.5	47.5	33.5
1.75	-	-	-	-	235.8	179.6	143.0	114.5	96.4	83.8	60.4	47.9	33.7
1.70	305.2	305.2	285.1	262.4	245.7	185.2	147.0	117.5	98.8	85.8	61.3	48.3	34.0
1.67	310.1	310.1	296.2	268.1	249.0	189.0	150.0	119.2	99.8	86.3	61.6	48.5	34.1
1.65	316.7	316.7	300.7	272.8	250.6	192.0	152.0	120.4	100.6	86.8	61.9	48.7	34.3

END POINT VOLTS/CELL	Constant Current Discharge- Amperes @ 25°C(77°F)												
	Operating Time to End Point Voltage												
	5 min	10 min	15 min	30 min	60 min	2 hr	3 hr	5 hr	8 hr	10 hr	12 hr	20 hr	
1.90	103.4	79.3	62.7	38.4	23.0	12.4	8.6	5.5	3.6	3.0	2.5	1.6	
1.85	118.6	90.9	71.8	42.6	25.2	13.5	9.4	6.0	3.9	3.2	2.8	1.7	
1.80	128.4	98.5	77.8	45.3	26.4	14.1	9.9	6.2	4.1	3.3	2.8	1.7	
1.75	134.1	102.7	80.0	46.7	26.8	14.4	10.0	6.3	4.1	3.3	2.9	1.8	

UPS12-2200 PLM

END POINT VOLTS/CELL	Constant Power Discharge- Watts Per Cell @ 25°C(77°F)												
	Operating Time to End Point Voltage												
	1min	2min	3min	4min	5 min	10 min	15 min	20 min	25 min	30 min	45 min	60 min	90 min
1.85	-	-	-	-	304.9	229.5	184.9	153.8	133.4	118.8	90.6	74.8	53.9
1.80	-	-	-	-	336.7	255.4	202.2	166.1	142.7	126.1	95.2	78.0	56.1
1.75	-	-	-	-	354.8	267.3	211.0	172.3	147.4	129.7	96.7	78.5	56.9
1.70	450.8	450.8	430.7	388.3	366.4	273.6	217.0	176.1	149.8	131.3	97.7	79.2	57.3
1.67	460.5	460.5	438.7	395.1	371.4	277.4	220.0	178.0	151.1	132.2	98.3	79.6	57.5
1.65	463.3	463.3	441.0	400.2	374.8	280.0	222.0	179.3	152.0	132.9	98.6	79.8	57.7

END POINT VOLTS/CELL	Constant Current Discharge- Amperes @ 25°C(77°F)												
	Operating Time to End Point Voltage												
	5 min	10 min	15 min	30 min	60 min	2 hr	3 hr	5 hr	8 hr	10 hr	12 hr	20 hr	
1.90	153.3	119.2	95.6	60.8	35.0	19.0	13.3	8.4	5.5	4.5	3.8	2.4	
1.85	176.4	130.9	106.9	66.9	38.6	20.8	14.5	9.2	6.0	4.8	4.2	2.6	
1.80	189.7	139.7	115.0	71.0	39.8	21.4	15.0	9.5	6.3	5.1	4.4	2.7	
1.75	197.4	145.0	119.6	72.4	40.7	21.9	15.3	9.7	6.3	5.2	4.4	2.8	

PLM Series

TOP TERMINAL



UPS12-3300 PLM

END POINT VOLTS/CELL	Constant Power Discharge- Watts Per Cell @ 25°C(77°F)												
	Operating Time to End Point Voltage												
	1min	2min	3min	4min	5 min	10 min	15 min	20 min	25 min	30 min	45 min	60 min	90 min
1.85	-	-	-	-	465.3	351.9	278.0	230.4	199.2	176.9	134.5	110.7	80.5
1.80	-	-	-	-	510.2	383.8	304.8	249.7	213.9	188.6	141.9	115.9	83.9
1.75	-	-	-	-	534.1	401.0	314.3	257.2	220.2	194.0	145.4	118.5	85.5
1.70	668.0	668.0	625.8	573.1	543.4	412.3	321.5	263.2	225.4	198.6	147.0	118.8	85.9
1.67	679.2	679.2	636.3	582.7	552.4	419.2	326.4	266.6	227.8	200.4	147.7	119.0	86.2
1.65	683.1	683.1	640.0	586.1	555.7	423.9	329.4	269.3	230.3	202.7	148.7	119.4	86.5

END POINT VOLTS/CELL	Constant Current Discharge- Amperes @ 25°C(77°F)												
	Operating Time to End Point Voltage												
	5 min	10 min	15 min	30 min	60 min	2 hr	3 hr	5 hr	8 hr	10 hr	12 hr	20 hr	
1.90	200.2	170.7	135.2	87.3	53.4	29.4	20.7	13.4	8.7	7.1	6.0	3.7	
1.85	248.3	185.0	150.5	95.9	58.0	31.8	22.4	14.5	9.4	7.6	6.5	4.0	
1.80	267.8	196.8	162.3	101.8	60.7	33.1	23.3	15.1	9.8	7.9	6.7	4.1	
1.75	277.5	203.2	168.2	105.4	62.0	33.8	23.7	15.4	9.9	8.0	6.8	4.2	

UPS12-3800 PLM

END POINT VOLTS/CELL	Constant Power Discharge- Watts Per Cell @ 25°C(77°F)												
	Operating Time to End Point Voltage												
	1min	2min	3min	4min	5 min	10 min	15 min	20 min	25 min	30 min	45 min	60 min	90 min
1.85	-	-	-	-	531.0	397.4	310.9	262.1	229.7	206.2	158.6	131.6	93.4
1.80	-	-	-	-	580.7	441.9	339.9	283.3	245.9	219.2	167.0	137.7	97.4
1.75	-	-	-	-	614.3	467.9	359.6	297.3	256.5	227.4	171.3	140.1	98.8
1.70	764.0	764.0	719.2	663.2	632.1	481.9	370.0	304.5	261.8	231.5	174.3	142.5	100.2
1.67	777.2	777.2	731.6	674.6	643.0	492.0	376.4	309.0	265.1	234.0	175.9	143.7	100.8
1.65	786.1	786.1	740.0	682.4	650.4	498.9	380.7	312.0	267.3	235.7	177.3	144.9	101.5

END POINT VOLTS/CELL	Constant Current Discharge- Amperes @ 25°C(77°F)												
	Operating Time to End Point Voltage												
	5 min	10 min	15 min	30 min	60 min	2 hr	3 hr	5 hr	8 hr	10 hr	12 hr	20 hr	
1.90	217.8	191.5	159.6	103.3	61.7	33.7	23.6	15.1	10.0	8.3	7.0	4.5	
1.85	291.3	223.0	178.0	114.5	67.4	36.7	25.7	16.4	10.9	8.9	7.6	4.9	
1.80	316.8	241.4	192.0	122.5	69.3	37.8	26.5	17.0	11.3	9.3	7.9	5.1	
1.75	330.3	251.3	200.2	125.5	71.0	38.6	27.1	17.3	11.4	9.4	8.0	5.1	

UPS12-4000 PLM

END POINT VOLTS/CELL	Constant Power Discharge- Watts Per Cell @ 25°C(77°F)												
	Operating Time to End Point Voltage												
	1min	2min	3min	4min	5 min	10 min	15 min	20 min	25 min	30 min	45 min	60 min	90 min
1.85	-	-	-	-	544.7	405.5	338.8	286.4	251.4	226.0	175.4	146.5	104.3
1.80	-	-	-	-	611.7	454.6	372.8	311.0	270.2	241.0	185.4	153.9	109.2
1.75	-	-	-	-	636.9	475.7	386.2	323.7	282.2	252.4	191.3	157.2	111.4
1.70	815.0	815.0	773.8	722.3	660.4	495.1	399.9	333.3	289.4	257.9	194.0	158.5	112.3
1.67	829.4	829.4	793.8	749.3	667.4	508.8	407.8	339.0	293.8	261.4	195.6	159.3	112.8
1.65	833.0	833.0	800.0	758.7	675.7	514.3	411.7	342.2	296.4	263.7	196.7	159.8	113.1

END POINT VOLTS/CELL	Constant Current Discharge- Amperes @ 25°C(77°F)												
	Operating Time to End Point Voltage												
	5 min	10 min	15 min	30 min	60 min	2 hr	3 hr	5 hr	8 hr	10 hr	12 hr	20 hr	
1.90	214.4	201.5	162.3	109.9	68.2	36.9	25.8	16.4	10.8	8.9	7.6	4.8	
1.85	295.7	236.8	189.0	122.2	74.8	40.4	28.2	17.9	11.8	9.7	8.2	5.2	
1.80	346.5	262.6	210.0	131.0	78.7	42.3	29.4	18.6	12.2	10.0	8.5	5.4	
1.75	363.0	277.5	220.0	134.8	79.7	42.9	29.8	19.0	12.5	10.2	8.6	5.5	

TOP TERMINAL

UPS12-4700 PLM



END POINT VOLTS/CELL	Constant Power Discharge- Watts Per Cell @ 25°C(77°F)												
	Operating Time to End Point Voltage												
	1min	2min	3min	4min	5 min	10 min	15 min	20 min	25 min	30 min	45 min	60 min	90 min
1.85	-	-	-	-	549.4	465.1	378.1	315.7	274.6	245.0	189.1	157.3	109.9
1.80	-	-	-	-	660.7	519.4	415.2	343.4	296.4	262.9	200.6	165.6	115.3
1.75	-	-	-	-	723.8	566.6	441.1	362.4	311.1	274.7	207.0	169.3	117.7
1.70	984.1	984.1	912.3	822.5	755.0	594.8	460.1	375.2	320.3	281.5	210.4	171.2	118.9
1.67	1016.3	1016.3	942.1	849.3	779.6	612.3	475.1	384.7	326.6	285.8	212.6	172.3	119.6
1.65	1024.8	1024.8	950.0	856.5	786.2	624.2	479.1	388.2	329.8	288.7	214.1	173.2	120.1

END POINT VOLTS/CELL	Constant Current Discharge- Amperes @ 25°C(77°F)												
	Operating Time to End Point Voltage												
	5 min	10 min	15 min	30 min	60 min	2 hr	3 hr	5 hr	8 hr	10 hr	12 hr	20 hr	
1.90	267.5	238.1	187.5	119.2	73.8	39.7	27.6	17.5	11.5	9.4	8.0	5.1	
1.85	358.9	276.7	217.5	132.9	81.5	43.6	30.3	19.1	12.5	10.2	8.7	5.5	
1.80	397.7	305.2	241.0	142.7	85.7	45.8	31.7	19.9	13.0	10.6	9.0	5.7	
1.75	424.5	325.8	257.3	148.8	86.6	46.9	32.4	20.3	13.2	10.8	9.1	5.7	

UPS12-4800 PLM

END POINT VOLTS/CELL	Constant Power Discharge- Watts Per Cell @ 25°C(77°F)												
	Operating Time to End Point Voltage												
	1min	2min	3min	4min	5 min	10 min	15 min	20 min	25 min	30 min	45 min	60 min	90 min
1.85	-	-	-	-	537.2	440.4	376.5	323.0	288.9	263.8	208.2	176.0	129.4
1.80	-	-	-	-	631.1	512.5	426.0	359.0	316.8	286.1	222.4	186.0	136.8
1.75	-	-	-	-	684.2	551.9	454.0	379.0	332.0	298.0	229.0	190.0	138.5
1.70	919.7	919.7	866.7	800.5	741.2	593.5	483.7	400.3	348.2	310.8	235.9	194.0	140.1
1.67	970.3	970.3	914.5	844.7	782.0	614.4	500.0	411.4	356.4	317.0	238.6	195.0	140.7
1.65	1008.0	1008.0	950.0	877.5	812.4	633.2	510.9	419.0	362.0	321.3	240.6	196.0	141.2

END POINT VOLTS/CELL	Constant Current Discharge- Amperes @ 25°C(77°F)												
	Operating Time to End Point Voltage												
	5 min	10 min	15 min	30 min	60 min	2 hr	3 hr	5 hr	8 hr	10 hr	12 hr	20 hr	
1.90	214.2	212.4	188.8	131.0	80.0	46.4	33.4	22.0	14.8	12.0	10.2	6.4	
1.85	295.0	269.1	220.2	147.6	91.5	51.6	36.9	24.2	16.3	13.3	11.3	7.1	
1.80	383.7	312.2	249.6	160.0	97.2	54.4	38.7	25.2	16.9	13.8	11.7	7.3	
1.75	422.3	334.0	266.5	166.3	98.5	55.0	39.4	25.8	17.3	14.1	11.9	7.5	

UPS12-5400 PLM

END POINT VOLTS/CELL	Constant Power Discharge- Watts Per Cell @ 25°C(77°F)												
	Operating Time to End Point Voltage												
	1min	2min	3min	4min	5 min	10 min	15 min	20 min	25 min	30 min	45 min	60 min	90 min
1.85	-	-	-	-	574.7	485.6	408.4	350.6	311.5	282.8	224.4	190.4	135.6
1.80	-	-	-	-	698.8	570.4	467.8	393.2	343.7	307.9	239.8	200.8	142.3
1.75	-	-	-	-	782.7	625.7	508.8	422.0	365.0	324.2	248.9	206.3	145.9
1.70	979.1	979.1	940.0	891.1	841.8	664.9	534.2	439.4	377.5	333.6	253.4	208.5	147.2
1.67	1027.2	1027.2	986.2	934.9	883.1	693.3	550.2	453.9	391.0	346.2	258.2	209.7	148.0
1.65	1062.5	1062.5	1020.0	966.9	913.4	704.2	561.2	461.5	396.5	350.3	259.8	210.2	148.5

END POINT VOLTS/CELL	Constant Current Discharge- Amperes @ 25°C(77°F)												
	Operating Time to End Point Voltage												
	5 min	10 min	15 min	30 min	60 min	2 hr	3 hr	5 hr	8 hr	10 hr	12 hr	20 hr	
1.90	284.9	246.3	206.9	145.3	88.4	51.7	36.4	23.6	15.4	12.5	10.6	6.7	
1.85	350.2	294.6	246.6	162.4	97.3	57.0	39.7	25.2	16.6	13.6	11.6	7.3	
1.80	423.8	342.0	279.0	176.5	103.2	59.9	41.6	26.3	17.3	14.1	12.0	7.6	
1.75	467.3	363.2	299.0	182.9	106.3	61.4	42.6	26.8	17.6	14.4	12.2	7.7	

PLM Series

TOP TERMINAL



UPS12-6300 PLM

END POINT VOLTS/CELL	Constant Power Discharge- Watts Per Cell @ 25°C(77°F)												
	Operating Time to End Point Voltage												
	1min	2min	3min	4min	5 min	10 min	15 min	20 min	25 min	30 min	45 min	60 min	90 min
1.85	-	-	-	-	804.7	647.9	532.5	443.0	377.6	336.4	245.2	195.9	140.0
1.80	-	-	-	-	933.3	724.0	583.7	480.2	405.5	358.8	258.1	204.2	145.6
1.75	-	-	-	-	992.7	771.0	602.0	499.9	419.3	369.2	265.0	209.5	149.2
1.70	1269.9	1269.9	1196.8	1105.4	1023.3	787.5	625.5	508.5	424.9	373.1	267.7	211.5	150.5
1.67	1281.6	1281.6	1207.8	1115.5	1032.7	796.3	630.1	512.4	428.2	376.1	269.7	213.0	151.5
1.65	1300.8	1300.8	1225.8	1132.1	1048.0	803.8	636.2	516.4	430.9	378.0	270.9	213.9	152.1

END POINT VOLTS/CELL	Constant Current Discharge- Amperes @ 25°C(77°F)												
	Operating Time to End Point Voltage												
	5 min	10 min	15 min	30 min	60 min	2 hr	3 hr	5 hr	8 hr	10 hr	12 hr	20 hr	
1.90	260.7	256.7	217.1	146.8	88.1	49.1	34.4	21.7	14.1	11.5	9.7	6.1	
1.85	368.4	312.8	253.7	167.9	98.2	54.3	38.0	24.0	15.5	12.6	10.6	6.6	
1.80	455.9	362.4	292.0	185.0	104.2	57.2	40.2	25.2	16.2	13.2	11.1	6.9	
1.75	495.3	389.9	311.3	189.5	106.4	58.1	40.8	25.5	16.4	13.3	11.2	7.0	



FRONT TERMINAL

UPS12-6900FD PLM

END POINT VOLTS/CELL	Constant Power Discharge- Watts Per Cell @ 25°C(77°F)												
	Operating Time to End Point Voltage												
	1min	2min	3min	4min	5 min	10 min	15 min	20 min	25 min	30 min	45 min	60 min	90 min
1.85	-	-	-	-	745.2	697.7	595.7	503.3	434.9	391.4	308.2	260.2	192.9
1.80	-	-	-	-	973.0	788.3	651.6	548.1	471.9	423.5	329.1	275.1	203.3
1.75	-	-	-	-	1073.5	832.2	676.5	568.2	488.5	437.9	338.5	281.9	206.9
1.70	1368.7	1368.7	1289.9	1191.4	1131.3	862.4	692.8	582.1	500.5	448.8	344.4	285.3	209.5
1.67	1391.0	1391.0	1310.9	1210.7	1149.8	875.0	700.1	588.0	505.3	452.9	346.3	286.2	210.3
1.65	1406.7	1406.7	1325.7	1224.4	1162.7	883.1	707.5	592.8	508.6	455.3	348.3	288.0	211.2

END POINT VOLTS/CELL	Constant Current Discharge- Amperes @ 25°C(77°F)												
	Operating Time to End Point Voltage												
	5 min	10 min	15 min	30 min	60 min	2 hr	3 hr	5 hr	8 hr	10 hr	12 hr	20 hr	
1.90	254.3	254.3	250.7	176.3	117.6	68.5	50.4	33.6	22.5	18.5	15.7	9.9	
1.85	380.5	364.9	301.2	198.7	132.6	77.4	55.7	37.0	24.6	20.2	17.1	10.7	
1.80	506.6	437.7	342.8	220.5	141.0	81.3	58.9	38.8	25.8	21.1	17.9	11.2	
1.75	586.4	461.5	359.1	225.6	144.9	82.7	60.2	39.6	26.3	21.5	18.3	11.4	

UPS12-7000FD PLM

END POINT VOLTS/CELL	Constant Power Discharge- Watts Per Cell @ 25°C(77°F)												
	Operating Time to End Point Voltage												
	1min	2min	3min	4min	5 min	10 min	15 min	20 min	25 min	30 min	45 min	60 min	90 min
1.85	-	-	-	-	766.5	717.7	612.7	517.7	447.3	402.5	317.0	267.6	198.4
1.80	-	-	-	-	1000.8	810.8	670.4	563.8	485.4	435.6	338.5	283.0	209.1
1.75	-	-	-	-	1104.2	856.1	695.9	584.5	502.5	450.4	348.1	290.0	212.9
1.70	1407.8	1407.8	1326.8	1225.4	1163.7	887.1	712.6	598.7	514.8	461.6	354.2	293.5	215.5
1.67	1430.7	1430.7	1348.3	1245.3	1182.6	899.9	720.1	604.8	519.8	465.9	356.2	294.4	216.3
1.65	1446.9	1446.9	1363.6	1259.4	1195.9	908.3	727.7	609.8	523.2	468.3	358.2	296.2	217.3

END POINT VOLTS/CELL	Constant Current Discharge- Amperes @ 25°C(77°F)												
	Operating Time to End Point Voltage												
	5 min	10 min	15 min	30 min	60 min	2 hr	3 hr	5 hr	8 hr	10 hr	12 hr	20 hr	
1.90	261.6	261.6	257.8	181.4	120.9	70.4	51.9	34.6	23.2	19.0	16.2	10.1	
1.85	391.3	375.3	309.8	204.4	136.4	79.7	57.3	38.0	25.3	20.7	17.6	11.0	
1.80	521.1	450.2	352.6	226.8	145.1	83.6	60.6	39.9	26.6	21.7	18.4	11.5	
1.75	603.1	474.7	369.4	232.0	149.0	85.1	61.9	40.8	27.0	22.2	18.8	11.7	

UPS12-7900FD PLM

END POINT VOLTS/CELL	Constant Power Discharge- Watts Per Cell @ 25°C(77°F)												
	Operating Time to End Point Voltage												
	1min	2min	3min	4min	5 min	10 min	15 min	20 min	25 min	30 min	45 min	60 min	90 min
1.85	-	-	-	-	870.9	794.6	663.0	556.3	477.9	422.5	320.9	261.5	195.0
1.80	-	-	-	-	1131.3	916.9	744.5	618.1	526.2	462.1	348.1	282.0	208.6
1.75	-	-	-	-	1276.2	965.3	777.2	644.6	548.1	481.0	360.6	291.2	213.7
1.70	1590.4	1590.4	1498.8	1384.3	1314.5	993.6	795.9	660.8	562.4	493.9	369.3	297.6	217.8
1.67	1602.3	1602.3	1510.0	1394.6	1324.4	1000.8	800.1	665.9	567.8	499.3	372.4	299.6	219.2
1.65	1613.7	1613.7	1520.7	1404.6	1333.8	1006.2	806.1	670.4	571.4	502.3	374.3	300.9	220.1

END POINT VOLTS/CELL	Constant Current Discharge- Amperes @ 25°C(77°F)												
	Operating Time to End Point Voltage												
	5 min	10 min	15 min	30 min	60 min	2 hr	3 hr	5 hr	8 hr	10 hr	12 hr	20 hr	
1.90	312.1	303.3	271.9	189.0	123.1	73.4	53.0	34.3	22.6	18.5	15.7	9.9	
1.85	455.7	399.1	329.6	214.7	135.7	80.6	58.2	37.6	24.6	20.1	17.0	10.6	
1.80	599.4	473.4	371.5	231.7	143.2	85.2	61.6	39.4	25.7	21.0	17.8	11.1	
1.75	690.7	506.2	401.1	239.8	146.5	87.3	63.0	40.4	26.3	21.5	18.2	11.3	

PLM Series

FRONT TERMINAL



UPS12-8200FD PLM

END POINT VOLTS/CELL	Constant Power Discharge- Watts Per Cell @ 25°C(77°F)												
	Operating Time to End Point Voltage												
	1min	2min	3min	4min	5 min	10 min	15 min	20 min	25 min	30 min	45 min	60 min	90 min
1.85	-	-	-	-	903.6	824.4	687.9	577.2	495.8	438.3	332.9	271.3	202.3
1.80	-	-	-	-	1173.7	951.2	772.4	641.3	545.9	479.4	361.2	292.6	216.4
1.75	-	-	-	-	1324.0	1001.5	806.3	668.7	568.7	499.1	374.2	302.1	221.7
1.70	1650.0	1650.0	1555.0	1436.2	1363.8	1030.8	825.7	685.5	583.5	512.4	383.1	308.8	226.0
1.67	1662.3	1662.3	1566.6	1446.9	1374.0	1038.3	830.1	690.8	589.1	518.0	386.3	310.8	227.5
1.65	1674.2	1674.2	1577.8	1457.2	1383.8	1043.9	836.4	695.5	592.8	521.1	388.3	312.1	228.4

END POINT VOLTS/CELL	Constant Current Discharge- Amperes @ 25°C(77°F)												
	Operating Time to End Point Voltage												
	5 min	10 min	15 min	30 min	60 min	2 hr	3 hr	5 hr	8 hr	10 hr	12 hr	20 hr	
1.90	323.8	314.6	282.1	196.0	127.8	76.2	55.0	35.6	23.4	19.2	16.3	10.3	
1.85	472.8	414.1	342.0	222.8	140.8	83.6	60.4	39.0	25.5	20.8	17.7	11.0	
1.80	621.9	491.2	385.4	240.4	148.5	88.4	63.9	40.9	26.7	21.8	18.5	11.5	
1.75	716.6	525.2	416.1	248.8	152.0	90.5	65.4	41.9	27.3	22.3	18.9	11.8	

UPS12-4200F PLM

END POINT VOLTS/CELL	Constant Power Discharge- Watts Per Cell @ 25°C(77°F)												
	Operating Time to End Point Voltage												
	1min	2min	3min	4min	5 min	10 min	15 min	20 min	25 min	30 min	45 min	60 min	90 min
1.85	-	-	-	-	558.5	421.8	331.3	279.0	240.5	216.0	162.4	132.6	95.4
1.80	-	-	-	-	635.2	466.2	366.2	306.5	262.7	235.0	173.6	140.0	100.5
1.75	-	-	-	-	670.0	491.7	386.1	321.2	273.8	244.0	178.3	142.7	102.4
1.70	844.2	844.2	795.5	734.8	701.2	514.6	404.1	334.4	283.8	252.0	182.6	145.3	104.2
1.67	856.7	856.7	807.4	745.7	711.6	522.3	410.1	339.5	288.2	256.0	184.8	146.6	105.1
1.65	867.2	867.2	817.2	754.8	720.3	528.6	415.1	344.1	292.5	260.0	186.9	147.9	106.0

END POINT VOLTS/CELL	Constant Current Discharge- Amperes @ 25°C(77°F)												
	Operating Time to End Point Voltage												
	5 min	10 min	15 min	30 min	60 min	2 hr	3 hr	5 hr	8 hr	10 hr	12 hr	20 hr	
1.90	209.0	190.0	151.8	99.6	60.6	35.0	25.4	16.7	10.8	8.8	7.5	4.7	
1.85	282.9	224.1	178.0	113.9	66.8	38.4	27.7	18.5	12.0	9.7	8.2	5.1	
1.80	329.3	253.3	199.6	124.3	71.0	40.5	29.2	19.4	12.6	10.2	8.6	5.3	
1.75	355.0	269.4	211.5	127.6	73.0	41.5	29.8	19.8	12.8	10.4	8.8	5.5	

UPS12-6200F PLM

END POINT VOLTS/CELL	Constant Power Discharge- Watts Per Cell @ 25°C(77°F)												
	Operating Time to End Point Voltage												
	1min	2min	3min	4min	5 min	10 min	15 min	20 min	25 min	30 min	45 min	60 min	90 min
1.85	-	-	-	-	744.5	622.5	501.6	431.7	379.0	344.9	261.6	215.0	156.8
1.80	-	-	-	-	937.4	694.5	553.2	472.5	412.2	373.4	281.2	230.0	166.2
1.75	-	-	-	-	988.2	742.6	583.1	494.2	428.2	386.0	288.0	234.0	169.0
1.70	1235.0	1234.6	1163.5	1074.6	1025.5	770.7	605.1	508.0	436.4	391.0	291.4	236.5	170.7
1.67	1255.0	1255.0	1182.7	1092.4	1042.5	783.4	615.1	513.8	439.4	392.5	292.8	237.8	171.5
1.65	1265.0	1265.2	1192.3	1101.2	1050.9	789.8	620.1	516.8	441.2	393.5	293.4	238.2	172.0

END POINT VOLTS/CELL	Constant Current Discharge- Amperes @ 25°C(77°F)												
	Operating Time to End Point Voltage												
	5 min	10 min	15 min	30 min	60 min	2 hr	3 hr	5 hr	8 hr	10 hr	12 hr	20 hr	
1.90	273.9	273.9	231.4	157.2	97.0	55.3	39.6	26.0	17.1	13.9	11.8	7.4	
1.85	378.0	340.4	272.3	180.5	109.0	61.8	44.0	28.7	19.0	15.5	13.1	8.1	
1.80	482.1	383.0	312.0	197.0	117.5	65.8	46.7	30.4	20.1	16.3	13.8	8.5	
1.75	551.1	408.0	330.0	201.0	120.0	67.0	47.5	30.9	20.3	16.5	13.9	8.6	



FRONT TERMINAL

UPS12-6800F PLM

END POINT VOLTS/CELL	Constant Power Discharge- Watts Per Cell @ 25°C(77°F)												
	Operating Time to End Point Voltage												
	1min	2min	3min	4min	5 min	10 min	15 min	20 min	25 min	30 min	45 min	60 min	90 min
1.85	-	-	-	-	786.1	649.2	544.9	476.6	424.2	390.0	300.0	249.0	181.5
1.80	-	-	-	-	980.4	740.8	597.0	520.0	461.3	423.0	323.1	266.8	193.2
1.75	-	-	-	-	1073.7	791.7	630.0	544.1	479.1	437.0	330.8	271.5	196.5
1.70	1393.0	1393.0	1279.0	1175.0	1140.1	847.2	669.0	570.2	496.4	449.0	336.0	273.5	198.6
1.67	1425.0	1425.0	1308.0	1201.0	1165.9	875.9	700.0	583.0	503.6	453.0	338.1	274.7	199.3
1.65	1443.0	1443.0	1325.0	1217.0	1181.0	885.7	703.0	590.1	508.7	457.0	339.7	275.2	199.7

END POINT VOLTS/CELL	Constant Current Discharge- Amperes @ 25°C(77°F)												
	Operating Time to End Point Voltage												
	5 min	10 min	15 min	30 min	60 min	2 hr	3 hr	5 hr	8 hr	10 hr	12 hr	20 hr	
1.90	280.4	280.4	252.5	172.0	107.0	64.1	46.0	30.4	20.1	16.4	13.9	8.7	
1.85	394.4	367.2	296.5	199.0	121.0	71.4	51.1	33.5	22.1	18.0	15.2	9.5	
1.80	508.3	414.3	341.0	221.0	130.0	75.1	53.9	35.2	23.2	18.8	15.9	9.9	
1.75	586.2	451.9	363.0	230.0	134.4	76.6	54.6	35.7	23.6	19.2	16.2	10.1	

UPS12-8000F PLM

END POINT VOLTS/CELL	Constant Power Discharge- Watts Per Cell @ 25°C(77°F)												
	Operating Time to End Point Voltage												
	1min	2min	3min	4min	5 min	10 min	15 min	20 min	25 min	30 min	45 min	60 min	90 min
1.85	-	-	-	-	846.0	776.8	643.1	568.8	511.3	473.4	366.7	305.9	219.9
1.80	-	-	-	-	1075.6	871.2	706.0	622.5	558.1	515.8	394.0	325.4	232.3
1.75	-	-	-	-	1224.4	948.9	770.1	661.3	590.1	543.5	409.9	335.6	238.8
1.70	1549.7	1549.7	1460.4	1348.8	1287.2	1009.9	800.6	688.9	609.9	558.5	417.3	339.4	241.3
1.67	1622.7	1622.7	1529.3	1412.4	1347.9	1044.6	830.1	713.0	624.8	567.9	422.0	341.9	242.8
1.65	1630.3	1630.3	1536.4	1419.0	1354.2	1049.5	834.0	717.5	629.7	573.0	424.7	343.4	244.0

END POINT VOLTS/CELL	Constant Current Discharge- Amperes @ 25°C(77°F)												
	Operating Time to End Point Voltage												
	5 min	10 min	15 min	30 min	60 min	2 hr	3 hr	5 hr	8 hr	10 hr	12 hr	20 hr	
1.90	339.6	339.6	294.9	217.9	138.4	82.3	60.0	39.1	25.9	21.1	17.8	10.9	
1.85	463.9	440.5	360.5	253.1	156.0	90.1	65.2	42.3	27.8	22.7	19.2	11.9	
1.80	588.1	506.2	411.3	278.0	164.0	94.0	67.5	43.8	29.1	23.8	20.1	12.4	
1.75	675.6	529.6	437.7	292.8	169.5	96.2	68.4	44.4	29.7	24.2	20.5	12.6	

UPS12-9200F PLM

END POINT VOLTS/CELL	Constant Power Discharge- Watts Per Cell @ 25°C(77°F)												
	Operating Time to End Point Voltage												
	1min	2min	3min	4min	5 min	10 min	15 min	20 min	25 min	30 min	45 min	60 min	90 min
1.85	-	-	-	-	1040.2	933.0	759.8	649.5	566.8	513.7	384.4	313.0	229.6
1.80	-	-	-	-	1337.3	1044.5	850.5	720.9	624.5	563.0	415.1	334.4	243.6
1.75	-	-	-	-	1440.8	1112.4	907.8	763.7	657.3	589.7	431.2	345.3	250.1
1.70	1898.2	1898.2	1784.0	1612.0	1553.4	1195.4	983.0	801.7	681.6	606.1	442.0	353.2	254.7
1.67	1955.1	1955.1	1801.0	1660.0	1600.0	1230.0	1000.0	823.7	696.0	616.2	447.7	356.9	256.7
1.65	1991.8	1991.8	1835.0	1691.0	1630.0	1250.5	1014.4	834.1	703.7	622.3	451.4	359.4	257.9

END POINT VOLTS/CELL	Constant Current Discharge- Amperes @ 25°C(77°F)												
	Operating Time to End Point Voltage												
	5 min	10 min	15 min	30 min	60 min	2 hr	3 hr	5 hr	8 hr	10 hr	12 hr	20 hr	
1.90	373.0	373.0	345.0	238.5	148.5	84.7	60.6	39.1	25.6	20.9	17.8	11.1	
1.85	521.7	480.0	393.0	270.0	168.0	96.1	67.9	43.2	28.1	22.9	19.4	12.0	
1.80	670.4	550.0	448.0	300.0	181.1	102.0	71.3	45.0	29.3	23.9	20.2	12.5	
1.75	765.0	600.0	490.0	315.0	187.5	104.1	72.1	45.4	29.7	24.3	20.6	12.7	

Note: Specifications subject to change without notification.

Batteries to be mounted with 15 mm spacing minimum and free air ventilation.

Above ratings do not include interunit connector voltage drops.

The design life listed indicates the service life under ideal service conditions. Changes in service conditions do not affect the design life, but the actual service life will be shorter than the design life.



TECHNOLOGIES

Contact us

Headquarters

C&D Technologies, Inc.
200 Precision Road
Horsham, PA 19044 USA

Europe

C&D Technologies (UK) Limited
Unit 25, Romsey Industrial Estate, Greatbridge Road
ROMSEY, Hampshire, SO51 0HR, UK
Office: +44 (0) 1794 518 173
E-mail: Gdaily@cdtrojan.com

Middle East & Africa

C&D TECHNOLOGIES (UK) LIMITED
LOB 15 – OFFICE 413
PO BOX 263116
JEBEL ALI FREE ZONE
DUBAI – UNITED ARAB EMIRATES
PH: +971 5045 494 79
E-mail: phockings@cdtrojan.com

C&D Tech Power Solutions (India) Private Limited

NEW NUMBER 39, OLD NUMBER 15, GROUND FLOOR, AGASTHIAR STREET,
EAST TAMBARAM, CHENNAI 600059.
Tel:(91) 98400 86199
E-mail: ishantharaj@cdtrojan.com.cn

C&D Technologies (Hong Kong) Ltd.

Tel: (852) 2119 9870
Fax: (852) 2117 0342
E-mail: Bhui@cdtrojan.com

C&D Tech (Singapore) Pte Ltd.

Tel: (65) 6291 1031
Fax: (65) 6291 0767
E-mail: Bhui@cdtrojan.com

C&D Trojan (Shanghai) Energy Technologies Co., Ltd.

Tel: 400-678-3721

C&D Trojan (Shanghai) Power Technologies Co., Ltd.

No.55 Liandu Road, Spark Development Zone, Shanghai, China
Tel: (86) 21 3711 1222

C&D Jiangsu Technologies Co., Ltd.

Circular Economy Industrial Park
Pizhou High-tech Industrial Development Zone,
Jiangsu Province China 221300
Tel: (86) 516 8687 9857

Website

www.cdtrojan.cn

China Service Hotline: 400-678-3721

C&D reserves the right to revise the data and information provided in this catalogue.